



**specialty**appliance  
buy smarter

[www.BUYFROMSA.com](http://www.BUYFROMSA.com)

2294 Stone Brae Court  
Ridgeway Custom Homes LLC

Brian Terpstra

[brian@buyfromsa.com](mailto:brian@buyfromsa.com)



## REMINDER:

To ensure a smooth project it is the responsibility of the homeowner / purchaser of appliances for this project to share all the attached specifications to ensure the cabinet provider, contractor, or any other tradesperson have all the information required to complete their work accurately.

Specifications are subject to change. If any tradesperson has questions regarding the attached specifications please contact our sales associate.



**specialty**appliance  
buy smarter

## Guidelines for the Best Experience

- Orders are initiated by a deposit. Full payment is required to schedule delivery and installation. There is typically a 2-3 week lead time for scheduling installation services. Please plan accordingly.
- Special Order items require a 100% deposit and are non-returnable and non-refundable. Your Sales Associate will identify what products (if any) are considered Special Order items.
- It is the Purchaser's responsibility to ensure that the site is Spec-Ready. Spec Ready means that the site is prepared in exact accordance with the manufacturer's specification as provided. If the site is not Spec-Ready, we will not be able to complete your installation as planned. It is the purchaser's responsibility to contract other needed professional services (carpenter, plumber, HVAC, electrician, etc.).
- Specialty Appliance needs open and safe access to and on your property to execute a successful delivery and install. Walkways must be clean of debris and/or snow and at least 3 ft. wide. Our Teams need an unobstructed path from the point of entrance to the final delivery location. Please advise your Sales Associate if your property has any unique obstructions that might make it difficult to facilitate the delivery (Like narrow stairs, stairs more than one story high, uneven terrain, low ceilings, etc.).
- There is a national shortage of appliances. The E.T.A.'s we get from manufacturers are rarely accurate and will likely change many times. We will do our best to keep you informed but due to the number of orders and corresponding changes- we simply cannot advise you of every change.
- Specialty Appliance will accept returns on normally stocked items within 30 days of the initial delivery date (Special Order items are non-returnable). Returned product is subject to a restocking fee.
- The appliances sold by Specialty Appliance are warranted by the respective manufacturer- not Specialty Appliance. Specialty Appliance does warrant our installation services for 1 full year.
- Our Customer Service team is here to help facilitate service as needed within the manufacturer's warranty.
- Orders must be paid in full in order to be scheduled for delivery/install.
- Cosmetic damage issues must be reported within 24 hours of the delivery. Specialty Appliance will not accept any liability for cosmetic issues reported more than 24 hours after a delivery.
- Specialty Appliance will confirm your anticipated target dates for delivery. Specialty Appliance cannot hold merchandise for more than 30 days. You may need to make storage arrangements if your project is delayed more than 30 days from your confirmed target date.

*Refer to [www.buyfromsa.com/terms-and-conditions](http://www.buyfromsa.com/terms-and-conditions) for complete terms and conditions*

**Thank you for choosing Specialty Appliance!**



# 2294 Stone Brae Court

Ridgeway Custom Homes LLC

2294 Stone Brae Court

Berthoud, CO 80513



## Specialty Appliance

buyfromsa.com

**Brian Terpstra**

970-223-2098

Quote **FQ10032005**

Version 3.3

Wed, Feb 8, 2023

10:45 AM MST



[enterprise.steelcod.com/sp/saco/JA3N52NI](https://enterprise.steelcod.com/sp/saco/JA3N52NI)

<i>Contents</i>	<i>Page no.</i>
<b>JDPSS244LL</b> Jenn-Air Dishwasher RISE™ 24" Built-In Dishwasher, 38 dBA	5-8
<b>JGC3536GS</b> Jenn-Air Cooktop Euro-Style 36" 5-Burner Gas Cooktop	9-11
<b>AK9234BS</b> Zephyr Ventilation 36" Monsoon I Insert	12-13
<b>JJW2830LL</b> Jenn-Air Wall Oven RISE™ 30" Double Wall Oven	14-16
<b>R1214T</b> Sharp Microwave	17
<b>JBSFS42NMX</b>	18-27

**Note about page numbers:**

Because the original manufacturer's documents are not altered in any way, the page numbers displayed on the page may not correspond to the page number within this package.

**All specifications are intended for initial planning purposes only.**

Manufacturers reserve the right to change specifications at any time without notice. Always consult the installation instructions found on the manufacturer's website or included with the appliances before installation.

Jenn-Air Refrigeration

Panel-Ready 42" Built-In Side-By-Side Refrigerator

---

**JBSFS42NHL** 28

Jenn-Air Accessory

RISE™ 42" Fully Integrated Built-In Side-by-Side Refrigerator Panel-Kit

---

**PRB24C01BG** 29-30

Zephyr Refrigeration

24" Single Zone Beverage Cooler

---

**WRS571CIHZ** 31-34

Whirlpool Refrigeration

36-inch Wide Counter Depth Side-by-Side Refrigerator - 21 cu. ft.

**Note about page numbers:**

Because the original manufacturer's documents are not altered in any way, the page numbers displayed on the page may not correspond to the page number within this package.

**All specifications are intended for initial planning purposes only.**

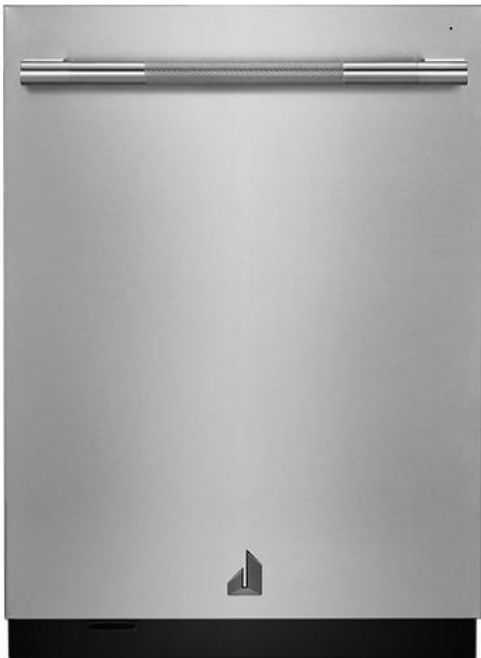
Manufacturers reserve the right to change specifications at any time without notice. Always consult the installation instructions found on the manufacturer's website or included with the appliances before installation.

# JDPSS244LL

## RISE™ 24" Built-In Dishwasher, 38 dBA



<http://www.jennair.com>



### Key Features:

- Quietest Luxury Dishwasher Brand
- Precise Fit 3rd Rack for Cutlery
- 11% More Loading Height (Compared to JennAir® dishwasher models: JDTSS246GM, JDTSS246GL, JDTSS245GX.)
- Rapid Wash Cycle
- Daring Obsidian Middle and Bottom Racks
- 1 to 24-Hour Delay Start Option
- 38 dBA Tranquility System
- 14 Place Setting Capacity
- 2 Position Fold-Away™ Tines
- Superior Glide Upper Rack
- 3-Stage Filtration
- Emotive Feedback

### Product Dimensions:

Height: 33 1/2

Width: 23 7/8

Depth: 26 3/4

### Additional Information:

[Owners Manual](#)

[Dimension Guide](#)

[Warranty Certificate](#)

Available in:

 Stainless Steel



©Registered trademark/TM Trademark of Whirlpool, U.S.A. © 2021 Whirlpool Corporation. All Rights Reserved. All other trademarks are owned by their respective companies.

Because Whirlpool Corporation policy includes a continuous commitment to improve our products, we reserve the right to change materials and specifications without notice. We also reserve the right to discontinue or transition products without notice.

Manufacturer's Suggested Retail Price (MSRP) and Minimum Advertised Price (MAP) provided for reference purposes only. Dealer alone determines advertised and retail prices.

Created On: Monday, May 16, 2022 15:56:35



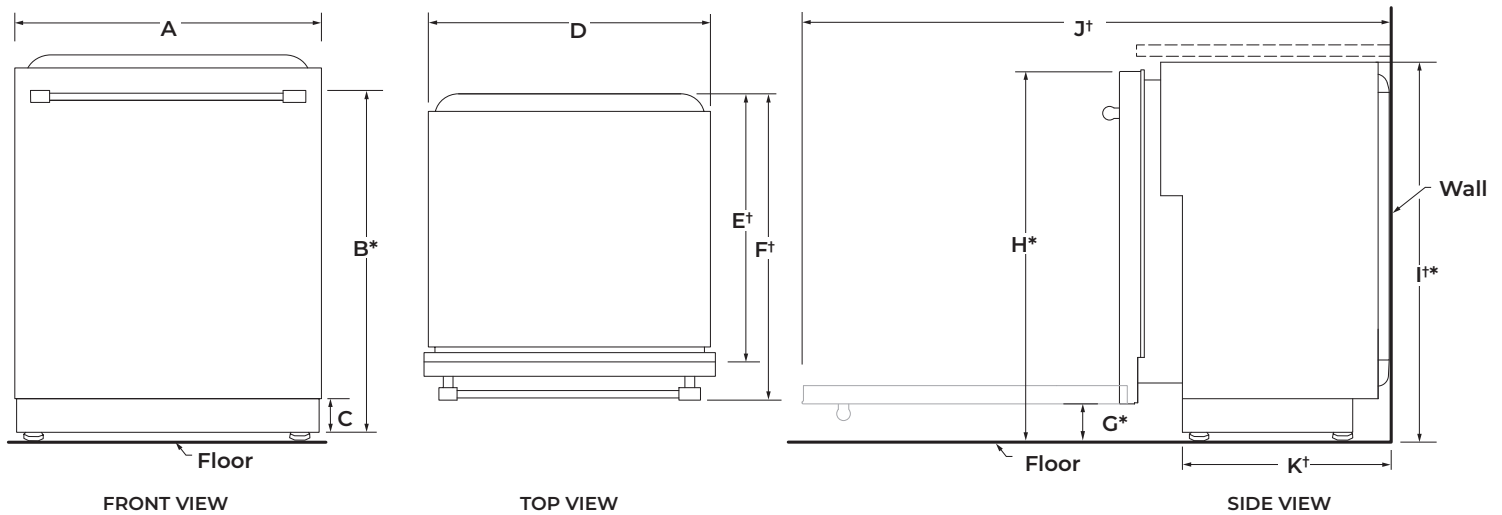
# 24" DISHWASHER

## DETAILED PLANNING DIMENSIONS GUIDE

JDPSS246LL, JDPSS246LM, JDPSG244LS, JDPSS244LL,  
JDPSS244LM  
23<sup>7</sup>/<sub>8</sub>" (W) x 33<sup>5</sup>/<sub>8</sub>" (H) x 24<sup>1</sup>/<sub>2</sub>" (Depth without Handle)

JDPSS245LX  
23<sup>7</sup>/<sub>8</sub>" (W) x 33<sup>5</sup>/<sub>8</sub>" (H) x 24<sup>3</sup>/<sub>4</sub>" (Depth without Handle)

### PRODUCT DIMENSIONS



	DESCRIPTION	DIMENSIONS
<b>A</b>	Width of door	23 <sup>7</sup> / <sub>8</sub> " (60.6 cm)
<b>B*</b>	Height to top of handle	31 <sup>9</sup> / <sub>16</sub> " (80.1 cm)
<b>C</b>	Height of adjustable toe kick	3 <sup>1</sup> / <sub>2</sub> " (8.8 cm) - min. 4 <sup>1</sup> / <sub>4</sub> " (10.8 cm) - max.
<b>D</b>	Width of recessed dishwasher	23 <sup>7</sup> / <sub>8</sub> " (60.6 cm)
<b>E†</b>	Depth without door	22 <sup>5</sup> / <sub>8</sub> " ( 57.5 cm)
<b>F†</b>	Depth with Towel Bar Handle	27 <sup>1</sup> / <sub>4</sub> " (69.2 cm)
	Depth with Pocket Handle	24 <sup>1</sup> / <sub>2</sub> " (62.2 cm)
	Depth with Wood panel	24 <sup>3</sup> / <sub>4</sub> " (62.9 cm)**
<b>G*</b>	Height to bottom of door (min.)	3 <sup>5</sup> / <sub>16</sub> " (8.4 cm)
<b>H*</b>	Height to top of door (min.)	33 <sup>7</sup> / <sub>16</sub> " (84.9 cm)
<b>I*</b>	Height of recessed dishwasher (min.)	33 <sup>5</sup> / <sub>8</sub> " (85.4 cm)
<b>J†</b>	Depth with door fully open (min.)	50 <sup>3</sup> / <sub>16</sub> " (127.4 cm)
<b>K†</b>	Depth with toe kick (min.)	20 <sup>13</sup> / <sub>16</sub> " (52.9 cm)

†Insulation blanket thickness not included, can be crushed up to 1/8" (0.3 cm), or removed along the top perforate section for additional clearance.

\*Dishwasher can be raised 1<sup>7</sup>/<sub>16</sub>" (3.7 cm) with feet fully extended.

\*\*Considering 3/4" wood panel thickness.

Because Whirlpool Corporation policy includes a continuous commitment to improve our products, we reserve the right to change materials and specifications without notice.

Dimensions are for planning purposes only. For complete details, see Installation Instructions packed with product. Specifications subject to change without notice.



# 24" DISHWASHER

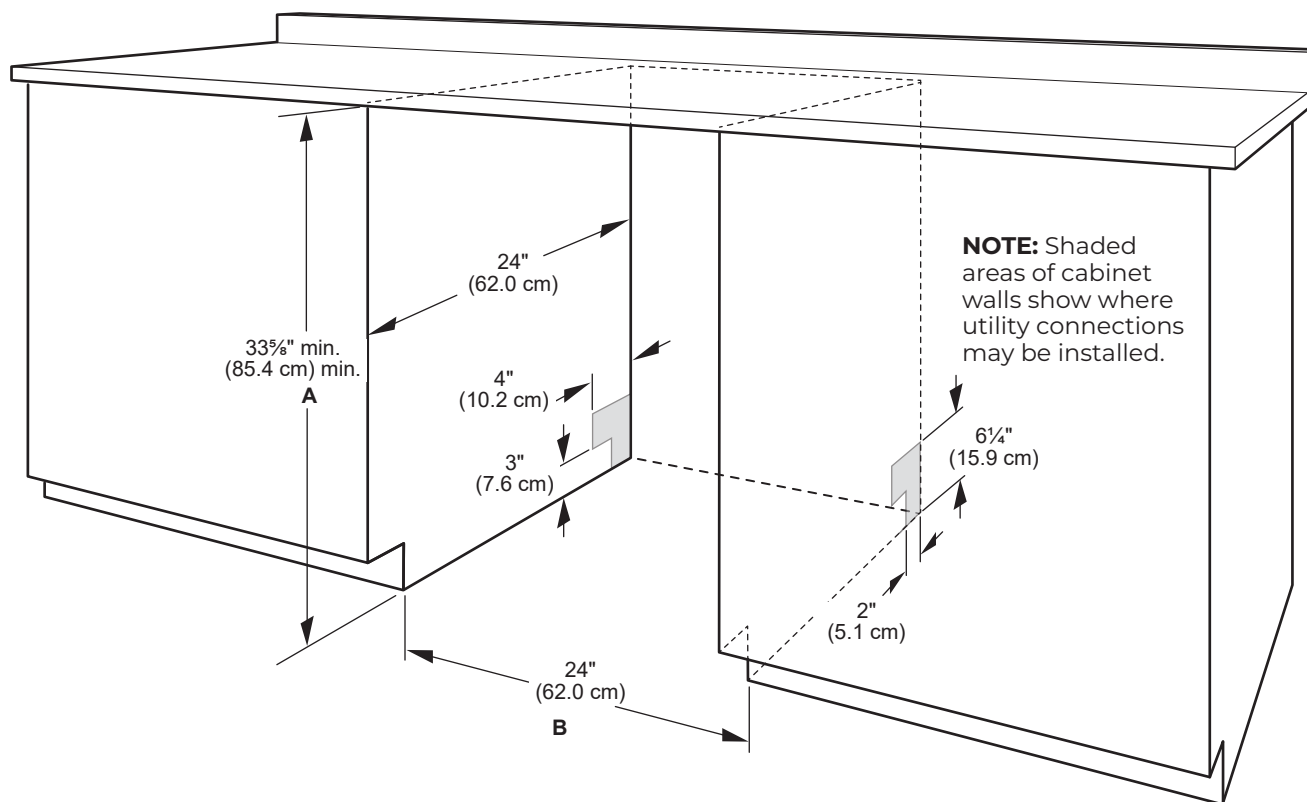
## DETAILED PLANNING DIMENSIONS GUIDE

JDPSS246LL, JDPSS246LM, JDPSG244LS, JDPSS244LL,  
 JDPSS244LM  
 23<sup>7</sup>/<sub>8</sub>" (W) x 33<sup>5</sup>/<sub>8</sub>" (H) x 24<sup>1</sup>/<sub>2</sub>" (Depth without Handle)

JDPSS245LX  
 23<sup>7</sup>/<sub>8</sub>" (W) x 33<sup>5</sup>/<sub>8</sub>" (H) x 24<sup>3</sup>/<sub>4</sub>" (Depth without Handle)

### OPENING/CLEARANCE DIMENSIONS

**IMPORTANT:** Check that all surfaces have no protrusions that would prohibit dishwasher installation.



A. Measured from the lowest point on the underside of the countertop. May be reduced to 33<sup>5</sup>/<sub>8</sub>" min. (85.4 cm) min. by removing the feet and perforated area of insulation (blanket) on dishwasher.

B. Minimum, measured from narrowest point of opening.

**NOTE:** Corner locations require a 2" (5.1 cm) minimum clearance between the side of the dishwasher door and the wall or cabinet.

Because Whirlpool Corporation policy includes a continuous commitment to improve our products, we reserve the right to change materials and specifications without notice.

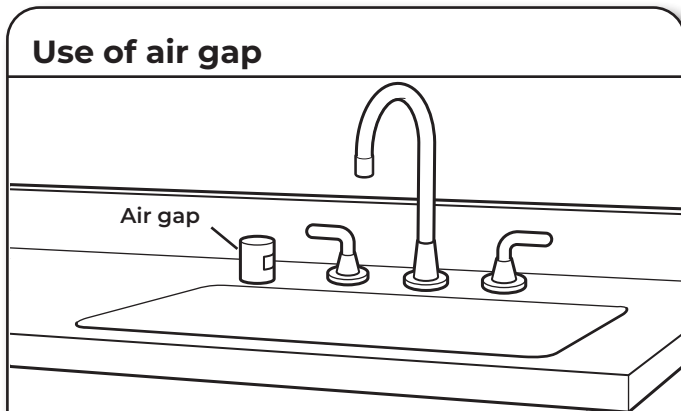
Dimensions are for planning purposes only. For complete details, see Installation Instructions packed with product. Specifications subject to change without notice.

## DRAIN REQUIREMENTS

- A new drain hose is supplied with your dishwasher. If drain hose is not long enough, use a new drain hose with a maximum length of 12 ft (3.7 m) that meets all current AHAM/IAPMO test standards, is resistant to heat and detergent, and fits the 1" (25 mm) drain connector of the dishwasher.

**NOTE:** Do not connect multiple drain hoses together.

- Make sure to connect drain hose to waste tee or disposer inlet above drain trap in house plumbing and 20" (508 mm) minimum above the floor. It is recommended that the drain hose either be looped up and securely fastened to the underside of the counter or be connected to an air gap.
- Make sure to use an air gap if the drain hose is connected to house plumbing lower than 20" (508 mm) above subfloor or floor.



- If required, the air gap should be installed in accordance with the air gap installation instructions. When you are connecting the air gap, a rubber hose (not provided) will be needed to connect to the waste tee or disposer inlet.
- Use 1/2" (1.3 cm) minimum I.D. drain line fittings.

## WATER SUPPLY REQUIREMENTS

- This dishwasher has a water heating feature and also requires a connection to a hot water supply line.
  - A hot water line with 20 psi to 120 psi (138 kPa to 862 kPa) water pressure can be verified by a licensed plumber.
  - 120°F (49°C) water at dishwasher.
  - 3/8" (0.95 cm) O.D. copper tubing with compression fitting or flexible braided water supply line.
- NOTE:** 1/2" (1.3 cm) minimum plastic tubing is not recommended.
- A 90° elbow with 3/4" (0.95 cm) hose connection with rubber washer.
  - Do not solder within 6" (15.2 cm) of the water inlet valve.
  - If installed in new construction, make sure the house water supply lines have been flushed prior to connecting the dishwasher to remove any debris that may exist in the supply line.

**NOTE:** If replacing an existing dishwasher, it is recommended to install a new water line and drain hose (supplied) with the new dishwasher.

## ELECTRICAL REQUIREMENTS

### ⚠ WARNING



#### Electrical Shock Hazard

**Plug into a grounded 3 prong outlet.**

**Do not remove ground prong.**

**Do not use an adapter.**

**Do not use an extension cord.**

**Failure to follow these instructions can result in death, fire, or electrical shock.**

Be sure that the electrical connection and wire size are adequate and in conformance with the National Electrical Code, ANSI/NFPA 70 - latest edition, and all local codes and ordinances.

A copy of the above code standards can be obtained from:

National Fire Protection Association  
1 Batterymarch Park  
Quincy, MA 02169-7471

#### You Must Have:

- 120 V, 60 Hz, AC only, 15 A or 20 A, fused electrical supply
- Copper wire only
- A maximum of 2 field wiring supply conductors (12 AWG largest size) plus 1 grounding conductor are permitted in the terminal box.

#### We Recommend:

- A time-delay fuse or circuit breaker.

#### Circuit Requirements:

- The dishwasher may be installed on the same circuit as a garbage disposal providing that the branch circuit cannot exceed rated circuit load and must comply with all governing codes and regulations such as but not limited to National Electrical Code, ANSI/NFPA 70 - latest edition.
- No electrical connections other than the dishwasher power and ground connections can be made inside of the dishwasher terminal box.

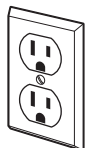
#### If connecting dishwasher with a power supply cord:

- Use UL Listed power cord kit marked for use with dishwasher.
- Plug into a grounded 3 prong outlet. Outlet must meet all local codes and ordinances.



#### If connecting dishwasher with direct wiring:

- Use flexible, armored, or nonmetallic sheathed copper wire with grounding wire that meets the wiring requirements for your home and local codes and ordinances.
- Use a UL Listed/CSA Approved metallic strain relief.





# JGC3536GS

## Euro-Style 36" 5-Burner Gas Cooktop



<http://www.jennair.com>

### Key Features:

- 20,000 BTU Dual-Stacked PowerBurner
- Single Point Electronic Ignition and Flame-Sensing™ Re-ignition
- 6,000 BTU Simmer Burner with Melt Cap
- Low-Profile Design
- Brass Burners with Removable Base
- White LED Burner Indicator

### Product Dimensions:

Width: 36

Depth: 21

### Electrical Requirements:

15.

### Additional Information:

[Use And Care Guide](#)

[Dimension Guide](#)

[Installation Guide](#)

[Warranty Certificate](#)



Available in:

 Stainless Steel

INVESTED  
IN  
AMERICA

ADA  
Compliant

®Registered trademark/TM Trademark of Whirlpool, U.S.A. © 2021 Whirlpool Corporation. All Rights Reserved. All other trademarks are owned by their respective companies.

Because Whirlpool Corporation policy includes a continuous commitment to improve our products, we reserve the right to change materials and specifications without notice. We also reserve the right to discontinue or transition products without notice.

Manufacturer's Suggested Retail Price (MSRP) and Minimum Advertised Price (MAP) provided for reference purposes only. Dealer alone determines advertised and retail prices.

Created On: Tuesday, May 17, 2022 07:41:13

# INSTALLATION REQUIREMENTS

## Tools and Parts

Gather the required tools and parts before starting installation.

### Tools needed

- Tape measure
- Flat-blade screwdriver
- $\frac{15}{16}$ " combination wrench
- Pipe wrench
- Channel lock pliers
- Marker or pencil
- Pipe-joint compound resistant to Propane gas
- Noncorrosive leak-detection solution

### Parts supplied

- Gas pressure regulator
- Burner grates (3)
- Burner bases (5)
- Burner caps (5)
- Simmer cap
- Clamp brackets (2)
- $2\frac{1}{2}$ " clamping screws (2)
- Foam tape seal
- Propane conversion kit—W10686634

### Parts needed

Check local codes and consult gas supplier. Check existing gas supply and electrical supply. See the "Electrical Requirements" and "Gas Supply Requirements" sections.

## Location Requirements

**IMPORTANT:** Observe all governing codes and ordinances. Do not obstruct flow of combustion and ventilation air.

- It is the installer's responsibility to comply with installation clearances specified on the model/serial/rating plate. The model/serial rating plate is located on the underside of the cooktop burner box.
- Do not unpack the burner grates and bases until after the cooktop is installed to avoid scratching the cooktop.
- The cooktop should be installed in a location away from strong draft areas, such as windows, doors, and strong heating vents or fans.
- All openings in the wall or floor where cooktop is to be installed must be sealed.
- Cabinet opening dimensions that are shown must be used. Given dimensions are minimum clearances.
- Grounded electrical supply is required. See the "Electrical Requirements" section.
- Proper gas supply connection must be available. See the "Gas Supply Requirements" section.
- The gas and electric supply should be located as shown in "Gas and Electric Connection Locations" in the "Location Requirements" section so that they are accessible without requiring removal of the cooktop.

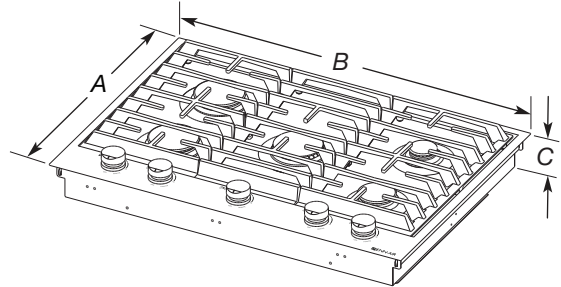
**IMPORTANT:** To avoid damage to your cabinets, check with your builder or cabinet supplier to make sure that the materials used will not discolor, delaminate, or sustain other damage.

## Mobile Home—Additional Installation Requirements

The installation of this cooktop must conform to the Manufactured Home Construction and Safety Standard, Title 24 CFR, Part 3280 (formerly the Federal Standard for Mobile Home Construction and Safety, Title 24, HUD Part 280). When such standard is not applicable, use the Standard for Manufactured Home Installations, ANSI A225.1/NFPA 501A or local codes.

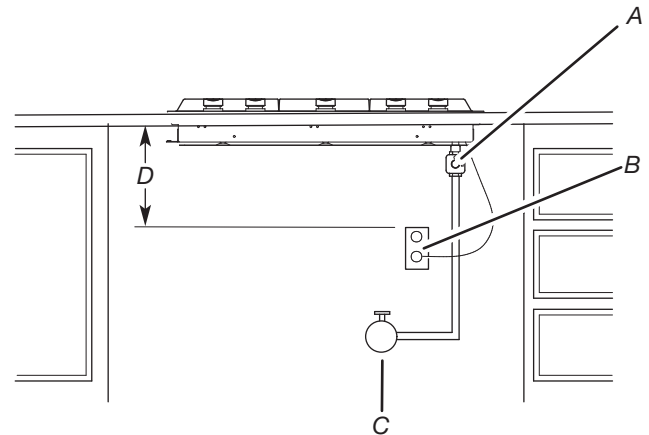
In Canada, the installation of this cooktop must conform with the current standards CAN/CSA-A240-latest edition, or with local codes.

## Product Dimensions



- A. 21" (53.3 cm)
- B. 30" (76.2 cm) on 30" (76.2 cm) models  
36" (91.4 cm) on 36" (91.4 cm) models
- C.  $3\frac{1}{4}$ " (8.3 cm)

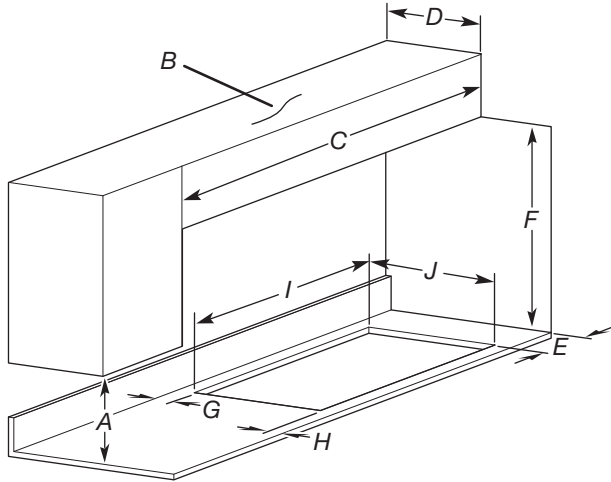
## Gas and Electric Connection Locations



- A. Gas pressure regulator (supplied)—arrow pointed toward cooktop
- B. 3 prong grounding type outlet with correct polarity
- C. Gas shut-off valve
- D. 18" (45.7 cm) minimum

## Installation Clearances

**IMPORTANT:** If installing a range hood or microwave hood combination above the cooking surface, follow the range hood or microwave hood combination installation instructions for dimensional clearances above the cooktop surface.



- A. 18" (45.7 cm) minimum clearance upper cabinet to countertop
- B. Cabinet
- C. 36" (91.4 cm) on 30" (76.2 cm) models  
42" (106.7 cm) on 36" (91.4 cm) models
- D. 13" (33 cm) maximum recommended upper cabinet depth
- E. 6" (15.2 cm) minimum side wall clearance
- F. 30" (76.2 cm) minimum clearance between top of cooktop platform and bottom of uncovered wood or metal cabinet (24" [61 cm] minimum clearance if bottom of wood or metal cabinet is covered by not less than 1/4" [0.6 cm] flame retardant millboard covered with not less than No. 28 MSG sheet steel, 0.015" [0.04 cm] stainless steel, or 0.024" [0.06 cm] aluminum or 0.020" [0.05 cm] copper)
- G. 2<sup>5</sup>/<sub>16</sub>" (5.9 cm) minimum distance to rear combustable surface
- H. 2<sup>5</sup>/<sub>16</sub>" (5.9 cm) minimum distance to front countertop edge
- I. Cutout width 29<sup>3</sup>/<sub>8</sub>" (74.6 cm) on 30" (76.2 cm) models  
Cutout width 35<sup>3</sup>/<sub>8</sub>" (89.9 cm) on 36" (91.4 cm) models
- J. Cutout depth 20<sup>3</sup>/<sub>8</sub>" (51.8 cm)

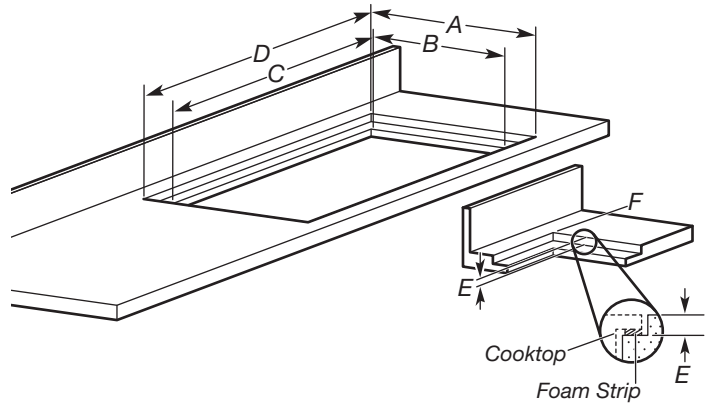
**NOTE:** After making the countertop cutout, some installations may require notching down the base cabinet side walls to clear the burner box. To avoid this modification, use a base cabinet with sidewalls wider than the cutout.

If cabinet has a drawer, a 4" (10.2 cm) depth clearance from the countertop to the top of the drawer (or other obstruction) in base cabinet is required. The drawer depth may need to be shortened to avoid interfering with the regulator and power cord.

## Flush Installation Dimensions

All cooktops can be mounted with a frameless standard installation sitting on top of the countertop surface or flush with the top of the countertop. If the cooktop is to be mounted flush with the countertop, a 11/64"-deep (4.3 mm) recessed area surrounding the cooktop cutout must be provided with the following dimensions.

**NOTE:** This option is not recommended for countertops with a molded backsplash. Do not silicone seal in place.



- A. Recessed area length 21<sup>3</sup>/<sub>16</sub>" (53.8 cm)
- B. Cutout length 20<sup>3</sup>/<sub>8</sub>" (51.8 cm)
- C. Cutout width 29<sup>3</sup>/<sub>8</sub>" (74.6 cm) on 30" (76.2 cm) models  
Cutout width 35<sup>3</sup>/<sub>8</sub>" (89.9 cm) on 36" (91.4 cm) models
- D. Recessed area width 30<sup>1</sup>/<sub>8</sub>" (76.5 cm) on 30" (76.2 cm) models  
Recessed area width 36<sup>1</sup>/<sub>8</sub>" (91.7 cm) on 36" (91.4 cm) models
- E. Recessed area depth 11/64" (4.3 mm)
- F. Recessed area radius 5/64" (2.0 mm) maximum

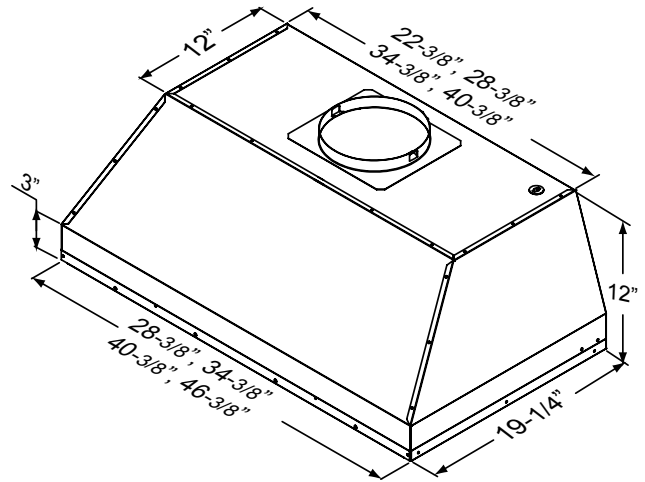
Monsoon I has taken the one-piece liner to the next level. Including dual-level LumiLight LED's and an ADA-compliant wireless remote you can easily control Monsoon I without ever reaching over a dangerous cook-

ing surface. Equipped with 6-speed electronic controls, pro baffle filters, our exclusive ACT™ technology and either a powerful 600-CFM blower (30" and 36" models) or 1,200-CFM blower (42" and 48" models).

ACT™

	INTERNAL BLOWER STANDARD	INTERNAL BLOWER with ACT™ AIRFLOW CONTROL TECHNOLOGY™*		
		NA	200 - 390	200 - 290
30"/36" Min. - Max. CFM	200 - 600	NA	200 - 390	200 - 290
30"/36" Min. - Max. Sones	1 - 6	NA	1 - 4	1 - 3
42"/48" Min. - Max. CFM	450 - 1,200	350 - 590	350 - 390	NA
42"/48" Min. - Max. Sones	3.5 - 9	3.3 - 6	3.3 - 4	NA

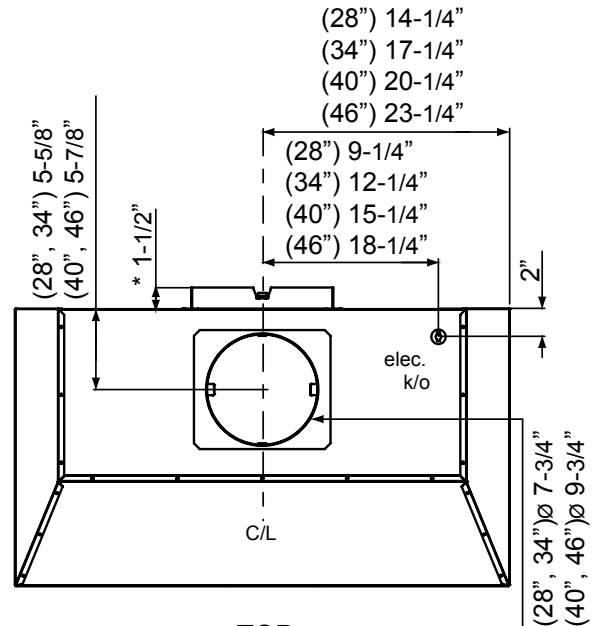
\*AIRFLOW CONTROL TECHNOLOGY™ (ACT™) is an exclusive feature built into specific Zephyr hoods which can limit the maximum blower CFM to meet local code requirements.



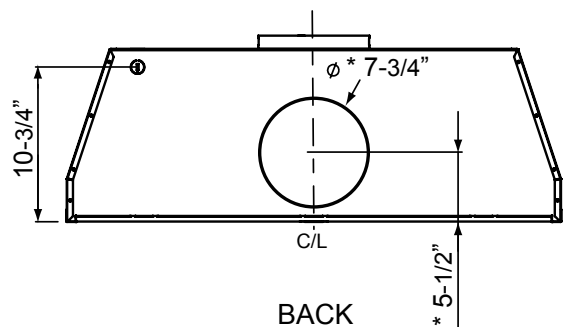
3/4 VIEW



Includes Wireless Remote Control



TOP



BACK

\* Dimensions for 28" and 34" model sizes only

MODEL	AK9228BS	AK9234BS	AK9240BS	AK9246BS
Stainless Steel Size	30" (28-3/8" x 19-1/4")	36" (34-3/8" x 19-1/4")	42" (40-3/8" x 19-1/4")	48" (46-3/8" x 19-1/4")
<b>BLOWER PERFORMANCE</b>				
Blower CFM (Min. - Max.)	200 - 600	200 - 600	450 - 1,200	450 - 1,200
Sones (Min. - Max.)	1 - 6	1 - 6	3.5 - 9	3.5 - 9
ACT 590 CFM (Min. - Max.)	NA	NA	350 - 590	350 - 590
ACT 590 Sones (Min. - Max.)	NA	NA	3.3 - 6	3.3 - 6
ACT 390 CFM (Min. - Max.)	200 - 390	200 - 390	350 - 390	350 - 390
ACT 390 Sones (Min. - Max.)	1 - 4	1 - 4	3.3 - 4	3.3 - 4
ACT 290 CFM (Min. - Max.)	200 - 290	200 - 290	NA	NA
ACT 290 Sones (Min. - Max.)	1 - 3	1 - 3	NA	NA
<b>FEATURES</b>				
ACT™ Technology	Yes	Yes	Yes	Yes
Controls	Electronic Touch	Electronic Touch	Electronic Touch	Electronic Touch
Speed Levels	6*	6*	6*	6*
Auto Delay-Off	Yes	Yes	Yes	Yes
CleanAir Function	Yes	Yes	Yes	Yes
Lighting	LumiLight LED, 6W x2	LumiLight LED, 6W x2	LumiLight LED, 6W x2	LumiLight LED, 6W x4
Dual-Level Lighting	Yes	Yes	Yes	Yes
Filters	Pro Baffle x2	Pro Baffle x2	Pro Baffle x2	Pro Baffle x3
Grease Collection Tray	Yes	Yes	Yes	Yes
Wireless Remote Control	Yes	Yes	Yes	Yes
Recirculating Option	No	No	No	No
ADA Compliant	Yes	Yes	Yes	Yes
<b>DUCT SPECIFICATIONS</b>				
Vertical Internal Blower	8" Round	8" Round	10" Round	10" Round
Horizontal Internal Blower	8" Round	8" Round	NA	NA
AC POWER	120V, 60Hz at Max. 5A	120V, 60Hz at Max. 5A	120V, 60Hz at Max. 7A	120V, 60Hz at Max. 7A
<b>OPTIONAL ACCESSORIES</b>				
Make-Up Air Kit	MUA006A	MUA006A	MUA010A	MUA010A
<b>MOUNTING HEIGHT RANGE**</b>				
	26" - 36"	26" - 36"	26" - 36"	26" - 36"
<b>WARRANTY</b>				
	3 years parts, 1 year labor	3 years parts, 1 year labor	3 years parts, 1 year labor	3 years parts, 1 year labor

\*When ACT™ is enabled the maximum speed levels will change. 30" and 36" models: ACT 390 CFM = 3 speeds and ACT 290 CFM = 2 speeds. 42" and 48" models: ACT 590 CFM = 3 speeds and ACT 390 CFM = 2 speeds.

\*\*Mounting height refers to distance between top of a 36" tall cooking surface and bottom of hood.

**ACT™** AIRFLOW CONTROL TECHNOLOGY™ (ACT™) is an exclusive feature built into specific Zephyr hoods which can limit the maximum blower CFM to meet local code requirements.

Specifications subject to change, check zephyronline.com for up-to-date information.  
Zephyr Ventilation | 2277 Harbor Bay Parkway, Alameda, CA 94502 | 888.880.VENT

OCT20.0201



JJW2830LL

## RISE™ 30" Double Wall Oven



<http://www.jennair.com>



### Key Features:

- MultiMode® Convection System
- 4.3-Inch Full Color LCD Display
- Glide Rack
- Temperature Probe
- No Preheat Baking
- My Creations
- Jet Black Oven Interior
- Cinematic Lighting
- Seamless Touches
- 5.0 Cu. Ft. Capacity
- Closed Door Broiling
- Versatile Cooking Modes

### Product Dimensions:

Height: 52 3/8

Width: 30

Depth: 23 1/4

### Additional Information:

[Owners Manual](#)

[Warranty Certificate](#)

Available in:

 Stainless Steel



©Registered trademark/TM Trademark of Whirlpool, U.S.A. © 2022 Whirlpool Corporation. All Rights Reserved. All other trademarks are owned by their respective companies.

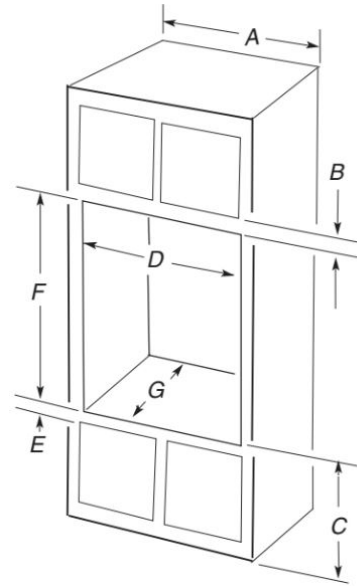
Because Whirlpool Corporation policy includes a continuous commitment to improve our products, we reserve the right to change materials and specifications without notice. We also reserve the right to discontinue or transition products without notice.

Manufacturer's Suggested Retail Price (MSRP) and Minimum Advertised Price (MAP) provided for reference purposes only. Dealer alone determines advertised and retail prices.

Created On: Wednesday, November 23, 2022 13:17:35

## Cabinet Dimensions - Double Ovens, Standard Installation

### Double Ovens Installed in Cabinet



#### 27" (68.6 cm) models

- A. 27" (68.6 cm) minimum cabinet width
- B. 2<sup>1</sup>/<sub>4</sub>" (5.7 cm) top of cutout to bottom of upper cabinet door
- C. 14<sup>3</sup>/<sub>4</sub>" (37.5 cm) bottom of cutout to floor is recommended.  
4"-14<sup>3</sup>/<sub>4</sub>" (10.2 cm - 37.5 cm) bottom of cutout to floor is acceptable.
- D. 25<sup>1</sup>/<sub>2</sub>" (64.8 cm) minimum cutout width
- E. 1<sup>1</sup>/<sub>2</sub>" (3.8 cm) minimum bottom of cutout to top of cabinet door
- F. 50<sup>1</sup>/<sub>4</sub>" (127.6 cm)\* recommended cutout height
- G. 24" (60.7 cm) cutout depth

#### 30" (76.2 cm) models

- A. 30" (76.2 cm) minimum cabinet width
- B. 2<sup>1</sup>/<sub>4</sub>" (5.7 cm) top of cutout to bottom of upper cabinet door
- C. 14<sup>3</sup>/<sub>4</sub>" (37.5 cm) bottom of cutout to floor is recommended.  
4"-14<sup>3</sup>/<sub>4</sub>" (10.2 cm - 37.5 cm) bottom of cutout to floor is acceptable.
- D. 28<sup>1</sup>/<sub>2</sub>" (72.4 cm) minimum cutout width
- E. 1<sup>1</sup>/<sub>2</sub>" (3.8 cm) minimum bottom of cutout to top of cabinet door
- F. 50<sup>1</sup>/<sub>4</sub>" (127.6 cm)\* recommended cutout height
- G. 24" (60.7 cm) cutout depth

**\*NOTE:** The cutout height can be between 48<sup>7</sup>/<sub>8</sub>" and 52<sup>3</sup>/<sub>16</sub>" (124.1 cm and 132.6 cm) for double ovens.

**NOTE:** Contact service to get tall bottom vent shield for cutouts taller than 50<sup>3</sup>/<sub>8</sub>" (128 cm) to enhance installation.

## Cabinet Dimensions - Single Ovens, Flush Installations

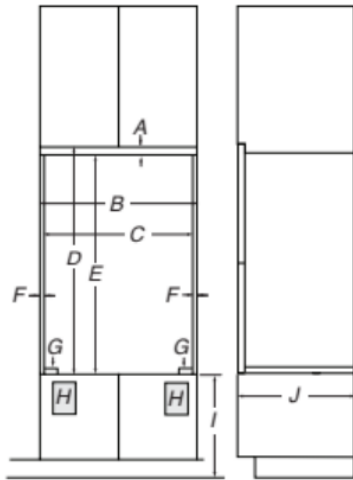
**NOTE:** This is an alternate option to install your product in the cabinet and obtain a flush look. For standard installation, refer section "Cabinet Dimensions - Single Ovens, Standard Installation".

A 25" (63.5 cm) minimum cutout depth is required.

These dimensions will result in a 1/4" (6 mm) reveal on the top, a 1/4" (6 mm) reveal on the sides, and a 1/8" (3 mm) reveal on the bottom of the wall oven.

The front face of the cleats and platform will be visible and should be treated as a finished surface.

## JennAir Replacement Installation



Single Ovens 30" (76.2cm)

A 19mm ( $\frac{3}{4}$ " )

B\* 768mm (30- $\frac{1}{4}$ " )

C 733mm (28- $\frac{7}{8}$ " )

D 773mm (30- $\frac{7}{16}$ " )

E 754mm (29- $\frac{11}{16}$ " )

F\* 17mm (11/16" )

G\*\* 1" (25mm) recommended. 15/16" to 1- $\frac{1}{8}$ " (22.5mm to 29mm) allowable.

H Junction Box Loc

I 4- $\frac{5}{8}$ " 117mm to 32" 813mm

J 25" 635mm min depth of cutout

\*These dimensions will lead to side gaps of  $\frac{1}{4}$ " (6mm).

\*\*Top and bottom gaps will be  $\frac{1}{8}$ " (3mm) gap above and below the product. Top and bottom gaps not required for installation. Exposed areas of the cabinet should be finished to match.

Double Ovens 30" (76.2cm)

A 14mm (9/16" )

B\* 768mm (30- $\frac{1}{4}$ " )

C 733mm (28- $\frac{7}{8}$ " )

D 1350 (53-3/16" )

E 1336 (52- $\frac{5}{8}$ " )

F\* 17mm (11/16" )

G\*\* 1" (25mm) recommended. 15/16" to 1-1/16" (22.5mm to 27.5mm) allowable.

H Junction Box Loc

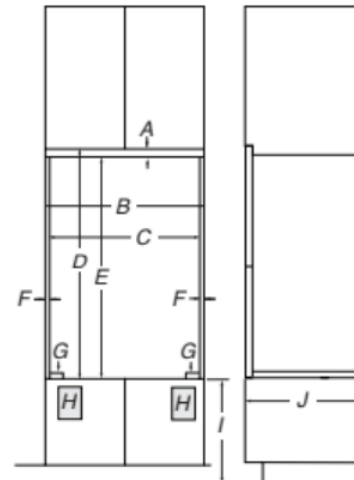
I 4- $\frac{5}{8}$ " 117mm to 14- $\frac{3}{4}$ " 375mm

J 25" 635mm min depth of cutout

\*These dimensions will lead to side gaps of  $\frac{1}{4}$ " (6mm).

\*\*Top and bottom gaps will be  $\frac{1}{8}$ " (3mm) gap above and below the product. Top and bottom gaps not required for installation. Exposed areas of the cabinet should be finished to match.

## JennAir New Installation



Single Ovens 30" (76.2cm)

A 19mm ( $\frac{3}{4}$ " )

B\* 768mm (30- $\frac{1}{4}$ " )

C 733mm (28- $\frac{7}{8}$ " )

D 773mm (30- $\frac{7}{16}$ " )

E 754mm (29- $\frac{11}{16}$ " )

F\* 17mm (11/16" )

G\*\* 1" (25mm) recommended. 15/16" to 1- $\frac{1}{8}$ " (22.5mm to 29mm) allowable.

H Junction Box Loc

I 4- $\frac{5}{8}$ " 117mm to 32" 813mm

J 25" 635mm min depth of cutout

\*These dimensions will lead to side gaps of  $\frac{1}{4}$ " (6mm).

\*\*Top and bottom gaps will be  $\frac{1}{8}$ " (3mm) gap above and below the product. Top and bottom gaps not required for installation. Exposed areas of the cabinet should be finished to match.

Double Ovens 30" (76.2cm)

A 19mm ( $\frac{3}{4}$ " )

B\* 768mm (30- $\frac{1}{4}$ " )

C 733mm (28- $\frac{7}{8}$ " )

D 1350 (53-3/16" )

E 1331 (52- $\frac{3}{8}$ " )

F\* 17mm (11/16" )

G\*\* 1" (25mm) recommended. 15/16" to 1-1/16" (22.5mm to 27.5mm) allowable.

H Junction Box Loc

I 4- $\frac{5}{8}$ " 117mm to 14- $\frac{3}{4}$ " 375mm

J 25" 635mm min depth of cutout

\*These dimensions will lead to side gaps of  $\frac{1}{4}$ " (6mm).

\*\*Top and bottom gaps will be  $\frac{1}{8}$ " (3mm) gap above and below the product. Top and bottom gaps not required for installation. Exposed areas of the cabinet should be finished to match.

**Note:** Some JennAir Products were shipped with incorrect flush installation instructions. Check your instructions to see if they match figures in this guide. If they do not, then use these dimensions to plan your installation. Released November 18, 2022. Formal Updates to follow.



# SHARP®

# Carousel®

1100  
WATTS

1.5  
CU.FT.

## Over-The-Counter Microwave Oven R-1214T

14-1/8" CAROUSEL® TURNTABLE HOLDS  
9" X 13" DISH

EASY-TO-READ 7-DIGIT 2-COLOR  
DISPLAY

OVER-THE-COUNTER MICROWAVE  
PROVIDES TASK LIGHTING

SENSOR PROGRAMS: 11 COOK, 4  
REHEAT, AND POPCORN

OTHER PROGRAMS: 8 INSTANT ACTION,  
4 DEFROST



## CONVENIENCE YOU CAN COUNT ON.

Counter Intelligence: Introducing Sharp's unique Over the Counter microwave oven, the R-1214, with Smart & Easy® sensor technology for cooking or reheating 11 of the most popular microwave treats. The OTC is the smarter kitchen design solution that saves valuable counter space. It provides a wide range of options for placement, works with standard cabinet sizes and does not require a built-in kit or shelf, allowing for an easy installation. And it comes with under cabinet task lighting. So smarten up your kitchen design with Sharp's intelligent Over the Counter microwave oven. It's an ideal space saver that will give you more counter space- and more cooking space!

## SPECIFICATIONS

### DESIGN

Cabinet Finish: Stainless Steel  
Display: 7 digit/2 color

### FEATURES

Capacity (cu. ft.): 1.5\*  
Cooking Power Levels: 11  
Watts: 1100  
Keep Warm Function: Yes  
Demonstration Mode: Yes  
Configuration: Over The Counter  
Type: Compact  
Carousel Diameter (inches): 14-1/8  
Nightlight: Yes  
Custom Help: Yes  
Clock/Timer: Yes  
Child Safety Lock: Yes  
Sensor Cook® Settings: 11  
Popcorn Key: Yes, Sensor  
Reheating Options: sensor-4  
Defrosting Options: 4  
Cooking Options: InstantAction-8  
Hot Water: Yes  
Minute Timer: Yes

Minute Plus™ Key: Yes  
Programmable Stages: 4  
Audible Signal Elimination: Yes

### DIMENSIONS & WEIGHT (in./lbs.)

Cavity Dimensions (D x H x W): 14.9" x 9.9" x 17.5"  
Product Dimensions (D x H x W): 15.5" x 14.1" x 23.9"  
Product Weight / Shipping Weight: 55 lbs. / 60 lbs.

### ADDITIONAL SPECIFICATIONS

Power Ratings: AC 120V, 60 Hz/1530 Watts  
AC Power Required (Amps): 13

### WARRANTY/UPC

Parts: 1 year limited  
Labor: 1 year limited  
Magnetron Tube: Additional 6 years (part only)  
UPC: 074000611696

\*Internal capacity calculated by measuring maximum width, depth and height. Actual capacity for holding food is less.

© 2016 Sharp Electronics Corporation. All rights reserved.  
Sharp, Carousel and all related trademarks are trademarks or registered trademarks of Sharp Corporation and/or its affiliated companies. All other trademarks are property of their respective owners.  
Product specifications and design are subject to change without notice.

# JBSFS42NMX

## Panel-Ready 42" Built-In Side-By-Side Refrigerator



<http://www.jennair.com>



### Key Features:

- Daring Obsidian Interior
- Multi-Point Cinematic Lighting
- Fully Flush & Integrated Design
- Precision Temperature Management™ System
- Quietest Luxury Built-In Side-By-Side Refrigerator
- Solid Glass and Metal
- Smooth Close Crisper Drawers
- Panel-Ready
- Glass Shelving
- Capacitive Touch Controls with LED Display
- Climate Controlled Crisper Drawer
- Gallon Door Bin

### Product Dimensions:

Height: 74 1/2

Width: 40 15/16

### Additional Information:

[Owners Manual](#)

[Dimension Guide](#)

[Installation Guide](#)

[Energy Guide](#)

[Warranty Certificate](#)

Available in:

Panel Ready



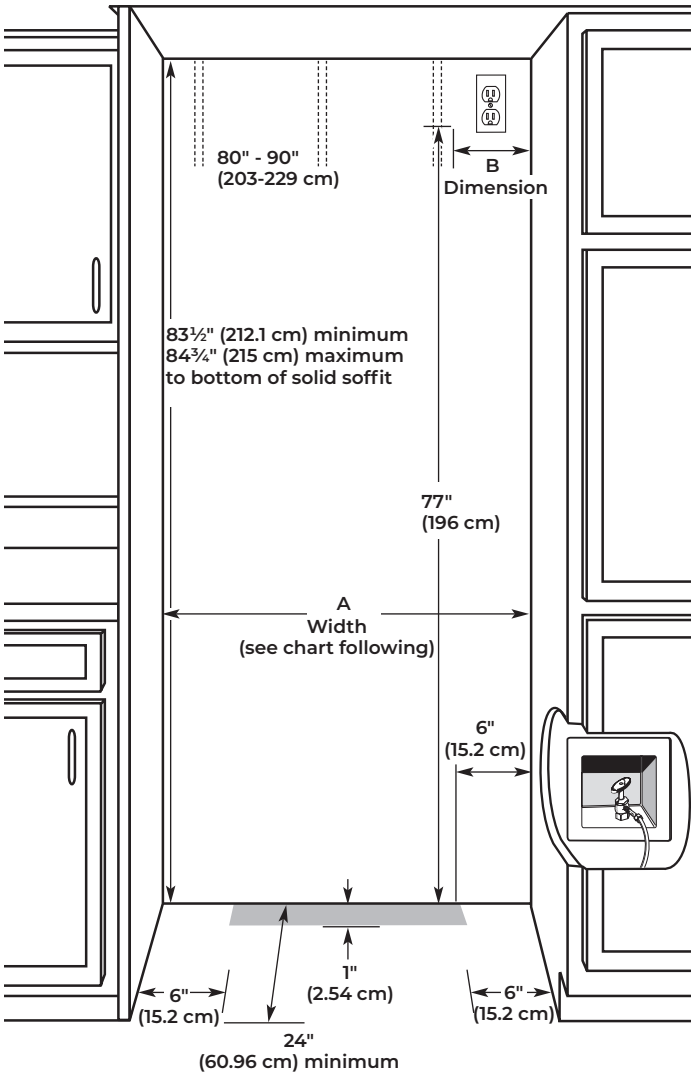
©Registered trademark/TM Trademark of Whirlpool, U.S.A. © 2022 Whirlpool Corporation. All Rights Reserved. All other trademarks are owned by their respective companies.

Because Whirlpool Corporation policy includes a continuous commitment to improve our products, we reserve the right to change materials and specifications without notice. We also reserve the right to discontinue or transition products without notice.

Manufacturer's Suggested Retail Price (MSRP) and Minimum Advertised Price (MAP) provided for reference purposes only. Dealer alone determines advertised and retail prices.

Created On: Thursday, October 27, 2022 11:08:06

- The water shutoff should be located in the base cabinet on either side of the refrigerator or some other easily accessible area. If the water shutoff valve is not in the cabinets, the plumbing for the water line can come through the floor. See “Water Supply Requirements” for more information.



Model	Width A (as shown above)	Dimension B (as shown above)
42	41½" to 41¾" (105.4 cm to 106.1 cm)	7½" (19.1 cm)
48	47½" to 47¾" (120.7 cm to 121.3 cm)	13½" (34.3 cm)

**NOTE:** Flooring under refrigerator must be at same level as the room. Face of cabinetry must be plumb.

## ELECTRICAL REQUIREMENTS

### ⚠ WARNING



#### Electrical Shock Hazard

**Plug into a grounded 3 prong outlet.**

**Do not remove ground prong.**

**Do not use an adapter.**

**Do not use an extension cord.**

**Failure to follow these instructions can result in death, fire, or electrical shock.**

Before you move your refrigerator into its final location, it is important to make sure you have the proper electrical connection.

If the supply cord is damaged, it must be replaced by the manufacturer or its service agent or a similar qualified person. Do not use a cord that shows cracks or abrasion damage along its length or at either the plug or connection end.

#### RECOMMENDED GROUNDING METHOD

A 115 V, 60 Hz, AC only, 15 A or 20 A fused, grounded electrical supply is required. It is recommended that a separate circuit serving only your refrigerator be provided. Use an outlet that cannot be turned off by a switch. Do not use an extension cord.

**IMPORTANT:** If this product is connected to a GFCI (Ground Fault Circuit Interrupter) protected outlet, nuisance tripping of the power supply may occur, resulting in loss of cooling. Food quality and flavor may be affected. If nuisance tripping has occurred, and if the condition of the food appears poor, dispose of it.

**NOTE:** Before performing any type of installation or cleaning, remove the top grille and turn the master power switch to OFF or disconnect power at the circuit breaker box.

When you are finished, turn ON the master power switch or reconnect power at the circuit breaker box. Then reset the control to the desired setting.

## WATER SUPPLY REQUIREMENTS

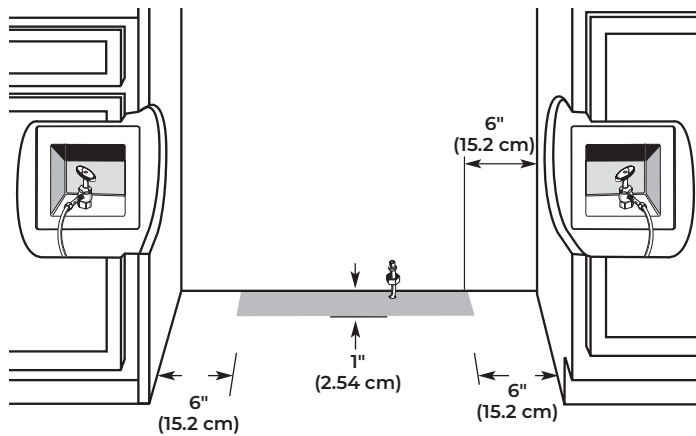
### IMPORTANT:

- All installations must meet local plumbing code requirements.
- Connect to potable water supply only.

Do not use with water that is microbiologically unsafe or of unknown quality without adequate disinfection before or after the system. Systems certified for cyst reduction may be used on disinfected waters that may contain filterable cysts.

- There is not enough clearance to achieve a flush installation if a water shutoff valve is located in the wall behind the refrigerator.
- The water shutoff should be located in the base cabinet on either side of the refrigerator or some other easily accessible area. The right-hand side is recommended. The access hole through the cabinet must be within 1/2" (1.3 cm) of the rear.

**NOTE:** If the water shutoff valve is in the back wall behind the refrigerator, it must be at an angle so that the tube is not kinked when the refrigerator is pushed into its final location.



- If the water shutoff valve is not in the cabinets, the plumbing for the water line can come through the floor. A 1/2" (1.27 cm) hole for plumbing should be drilled at least 6" (15.2 cm) from the right-hand or left-hand side cabinet or panel. On the floor, the hole should be no more than 1" (2.54 cm) away from the back wall. See "Connect the Water Supply."
- If additional tubing is needed, use copper tubing and check for leaks. Install the copper tubing only in areas where the household temperatures will remain above freezing.
- Do not use a piercing-type or 3/16" (4.76 mm) saddle valve which reduces water flow and also clogs more easily.

**NOTE:** Your refrigerator dealer has a kit available with a 1/4" (6.35 mm) saddle-type shutoff valve, a union, and copper tubing. Before purchasing, make sure a saddle-type valve complies with your local plumbing codes.

## WATER PRESSURE

A cold water supply with water pressure between 30 psi and 120 psi (207 kPa and 827 kPa) is required to operate the water dispenser and ice maker. If you have questions about your water pressure, call a licensed, qualified plumber.

**NOTE:** If the water pressure is less than what is required, the flow of water from the water dispenser could decrease or ice cubes could be hollow or irregular shaped. If you have questions about your water pressure, call a licensed, qualified plumber.

### Reverse Osmosis Water Supply

**IMPORTANT:** The pressure of the water supply coming out of a reverse osmosis system going to the water inlet valve of the refrigerator needs to be between 30 psi and 120 psi (207 kPa and 827 kPa).

If a reverse osmosis water filtration system is connected to your cold water supply, the water pressure to the reverse osmosis system needs to be a minimum of 40 psi to 60 psi (276 kPa to 414 kPa).

If the water pressure to the reverse osmosis system is less than 40 psi to 60 psi (276 kPa to 414 kPa):

- Check to see whether the sediment filter in the reverse osmosis system is blocked. Replace the filter if necessary.
- Allow the storage tank on the reverse osmosis system to refill after heavy usage.
- If your refrigerator has a water filter, it may further reduce the water pressure when used in conjunction with a reverse osmosis system. Remove the water filter cartridge.

If you have questions about your water pressure, call a licensed, qualified plumber.

## TIPPING RADIUS

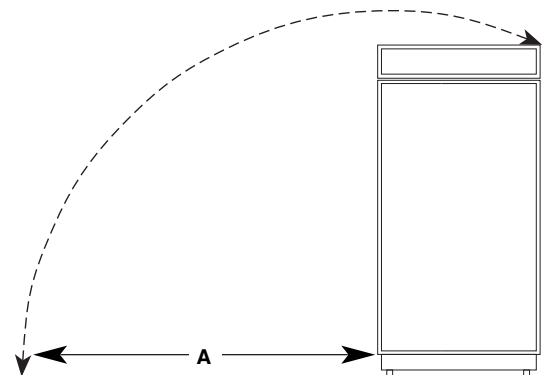
Be sure there is adequate ceiling height to stand the refrigerator upright when it is moved into place.

- Be sure there is adequate ceiling height to stand the refrigerator upright when it is moved into place.
- If needed, the tipping radius can be reduced. See "Reduce Tipping Radius."

### Side Tipping Radius

The side tipping radius varies depending upon the width of the model. Use the chart provided to determine the side tipping radius.

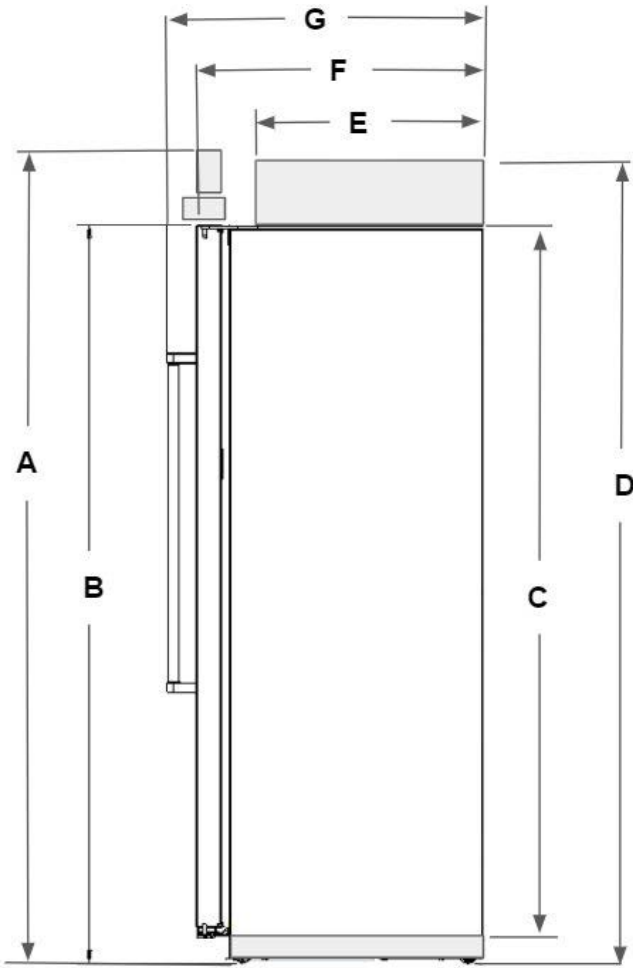
**NOTE:** Tip on side only.



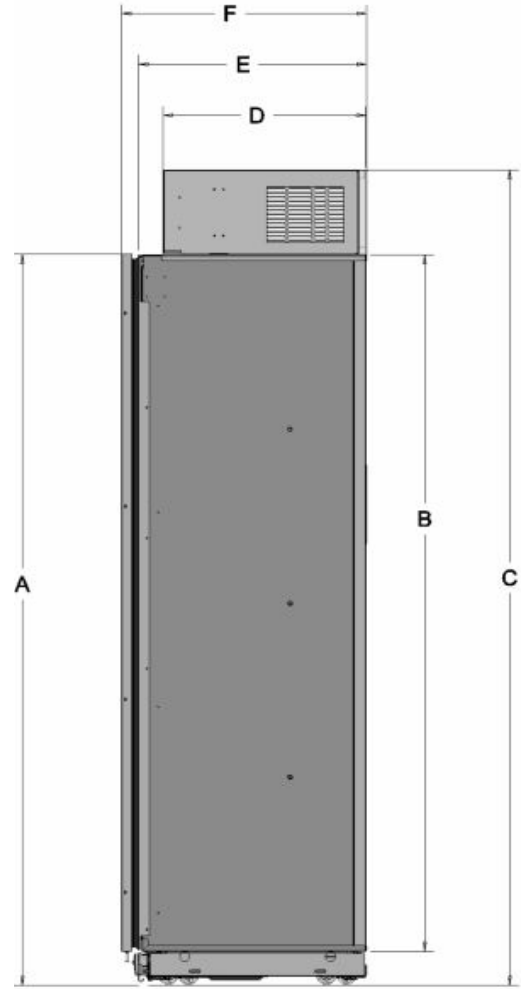
Model	Tipping Radius
42	91 <sup>3</sup> / <sub>8</sub> " (232.1 cm)
48	94 <sup>3</sup> / <sub>8</sub> " (239.7 cm)

## PRODUCT DIMENSIONS

SIDE VIEW - DISPENSING



SIDE VIEW - NON DISPENSING



Description		Inches (cm)
<b>A</b>	Total height	83 <sup>3</sup> / <sub>8</sub> " (211.8)
<b>B</b>	Height to top of doors	74 <sup>1</sup> / <sub>2</sub> " (189.2)
<b>C</b>	Height of Cabinet	71" (180.4)
<b>D</b>	Height to top of machine compartment cover	83 <sup>3</sup> / <sub>16</sub> " (211.3)
<b>E</b>	Depth to machine compartment cover	19 <sup>15</sup> / <sub>16</sub> " (50.6)
<b>F</b>	Depth with doors	25" (63.5)
<b>G</b>	Depth with handles	27 <sup>11</sup> / <sub>16</sub> " (70.4)

Description		Inches (cm)
<b>A</b>	Height to top of doors	74 <sup>9</sup> / <sub>16</sub> " (189.4)
<b>B</b>	Height of Cabinet	71" (180.4)
<b>C</b>	Height to top of machine compartment cover	83 <sup>3</sup> / <sub>16</sub> " (211.3)
<b>D</b>	Depth to machine compartment cover	19 <sup>15</sup> / <sub>16</sub> " (50.6)
<b>E</b>	Depth without doors	22 <sup>3</sup> / <sub>8</sub> " (56.8)
<b>F</b>	Depth with doors	24" (61)

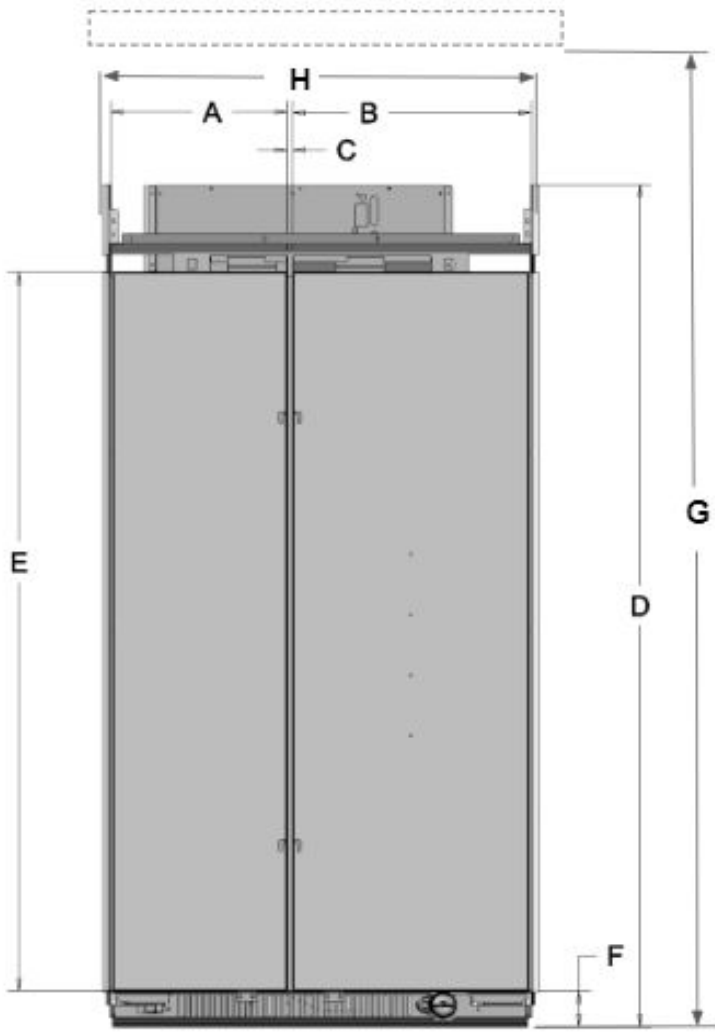
Interior Dimensions	Width Inches (cm)	Height Inches (cm)
<b>Refrigerator Compartment</b>		
42"	20 <sup>13</sup> / <sub>16</sub> " (52.9)	67 <sup>1</sup> / <sub>16</sub> " (170.4)
48"	24 <sup>5</sup> / <sub>16</sub> " (61.8)	
<b>Freezer Compartment</b>		
42"	14 <sup>5</sup> / <sub>16</sub> " (36.4)	66 <sup>3</sup> / <sub>4</sub> " (169.6)
48"	16 <sup>13</sup> / <sub>16</sub> " (42.7)	

Interior Dimensions	Width Inches (cm)	Height Inches (cm)
<b>Refrigerator Compartment</b>		
42"	20 <sup>13</sup> / <sub>16</sub> " (52.9)	67 <sup>1</sup> / <sub>16</sub> " (170.4)
48"	24 <sup>5</sup> / <sub>16</sub> " (61.8)	
<b>Freezer Compartment</b>		
42"	14 <sup>5</sup> / <sub>16</sub> " (36.4)	66 <sup>3</sup> / <sub>4</sub> " (169.6)
48"	16 <sup>13</sup> / <sub>16</sub> " (42.7)	

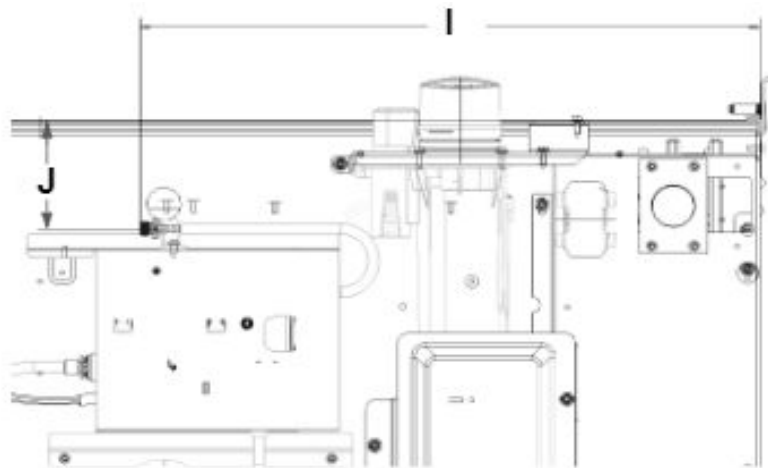
\*When leveling legs are fully extended to 1<sup>1</sup>/<sub>4</sub>" (3.2 cm) below rollers, add 1<sup>1</sup>/<sub>8</sub>" (2.9 cm) to the height dimensions.

## PRODUCT DIMENSIONS

### FRONT VIEW - NON DISPENSING



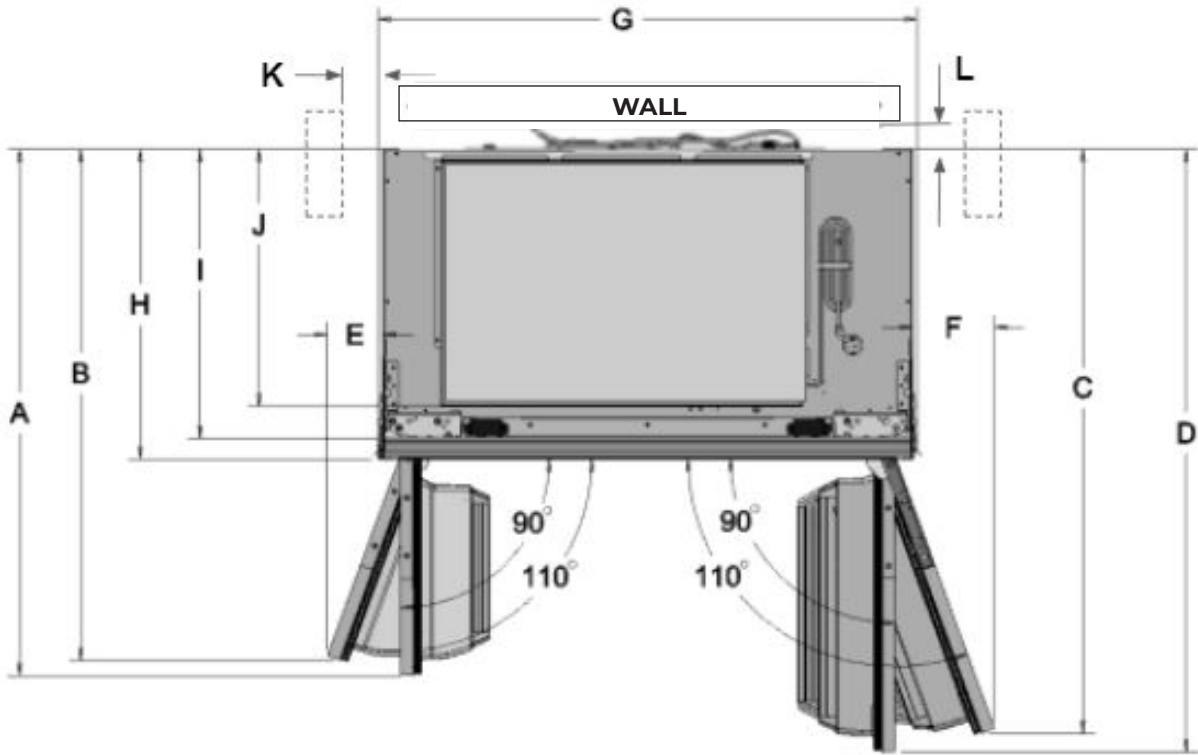
Description		Inches (cm)
<b>A</b>	Width of FC door	
	42"	17 <sup>3</sup> / <sub>16</sub> " (43.7)
	48"	19 <sup>3</sup> / <sub>4</sub> " (50.1)
<b>B</b>	Width of RC door	
	42"	23 <sup>1</sup> / <sub>4</sub> " (59)
	48"	26 <sup>3</sup> / <sub>4</sub> " (67.9)
<b>C</b>	Space between doors	1/2" (1.3)
<b>D</b>	Total height	83 <sup>1</sup> / <sub>4</sub> " (211.4)
<b>E</b>	Height of doors	71" (180.5)
<b>F</b>	Height of grille	3 <sup>9</sup> / <sub>16</sub> " (9.0)
<b>G</b>	To bottom of solid soffit (minimum/maximum)	83 <sup>1</sup> / <sub>2</sub> " (212.1)
		84 <sup>5</sup> / <sub>8</sub> " (215)
<b>H</b>	Overall width with side trims	
	42"	42 <sup>3</sup> / <sub>8</sub> " (107.6)
	48"	48 <sup>3</sup> / <sub>8</sub> " (122.8)
<b>I</b>	Water line location distance from side	17 <sup>3</sup> / <sub>4</sub> " (45.0)
<b>J</b>	Water line location distance from front	3 <sup>1</sup> / <sub>4</sub> " (8.2)



\*When leveling legs are fully extended to 1<sup>1</sup>/<sub>4</sub>" (3.2 cm) below rollers, add 1<sup>1</sup>/<sub>8</sub>" (2.9 cm) to the height dimensions.

## DOOR SWING DIMENSIONS

### Non - Dispensing Models



Description		Inches (cm)
<b>A</b>	Depth with FC door open 90°	
	42" 48"	40 <sup>13</sup> / <sub>16</sub> " (103.7) 43 <sup>7</sup> / <sub>8</sub> " (109.6)
<b>B</b>	Depth with FC door open 110°	
	42" 48"	39 <sup>5</sup> / <sub>8</sub> " (100.7) 41 <sup>15</sup> / <sub>16</sub> " (106.5)
<b>C</b>	Depth with RC door open 110°	
	42" 48"	45 <sup>5</sup> / <sub>16</sub> " (115.1) 48 <sup>7</sup> / <sub>16</sub> " (123.4)
<b>D</b>	Depth with RC door open 90°	
	42" 48"	46 <sup>3</sup> / <sub>4</sub> " (118.7) 50 <sup>1</sup> / <sub>4</sub> " (127.6)
<b>E</b>	From FC side of refrigerator to edge - door fully open 110°	
	42" 48"	4 <sup>5</sup> / <sub>16</sub> " (10.9) 5 <sup>3</sup> / <sub>16</sub> " (13.1)
<b>F</b>	From RC side of refrigerator to edge - door fully open 110°	
	42" 48"	6 <sup>3</sup> / <sub>8</sub> " (16.2) 7 <sup>9</sup> / <sub>16</sub> " (19.2)
<b>G</b>	Hinge edge to hinge edge	
	42" 48"	41 <sup>3</sup> / <sub>4</sub> " (106) 47 <sup>3</sup> / <sub>4</sub> " (121.3)
<b>H</b>	Depth without doors	24" (61)
<b>I</b>	Depth with doors	22 <sup>3</sup> / <sub>8</sub> " (56.8)
<b>J</b>	Depth to machine compartment cover	19 <sup>15</sup> / <sub>16</sub> " (50.6)
<b>K</b>	Space required for side cabinet	6" (15.24)
<b>L</b>	Space required for water lines and power chord	1" (2.54)

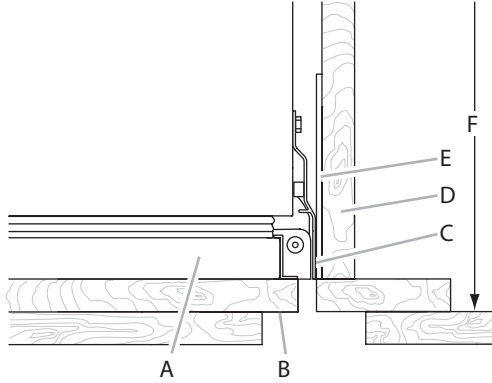
# CABINET AND PANEL INSTALLATION OPTIONS

**NOTE:** Graphics shown below illustrate installation configuration options given the specified cabinet depths. All possible configurations are not shown.

## CABINET DEPTH—25" (63.5 CM)

### Framed Cabinetry

#### Top View

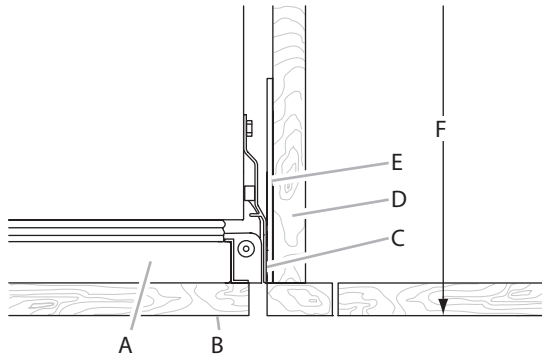


A. Refrigerator door  
B. Door panel  
C. Side trim

D. Adjacent cabinet  
E. Flush return filler  
F. 25" (63.5 cm)

#### Inset

#### Top View

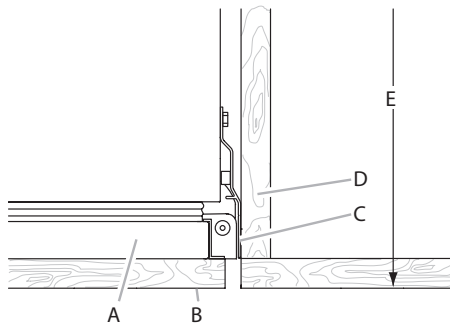


A. Refrigerator door  
B. Door panel  
C. Side trim

D. Adjacent cabinet  
E. Flush return filler  
F. 25" (63.5 cm)

### Frameless Cabinetry

#### Top View



A. Refrigerator door  
B. Door panel  
C. Side trim

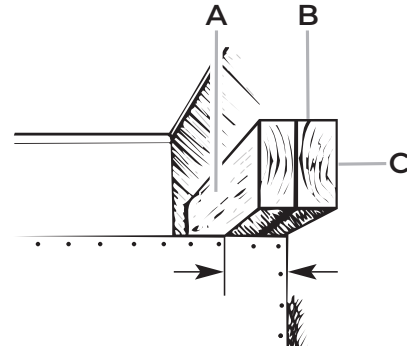
D. Adjacent cabinet  
E. 25" (63.5 cm)

## CABINET DEPTH—24" (60.9 CM)

**NOTE:** A flush installation is not possible with a 24" (60.9 cm) deep opening.

### Framed Cabinetry

#### Top View

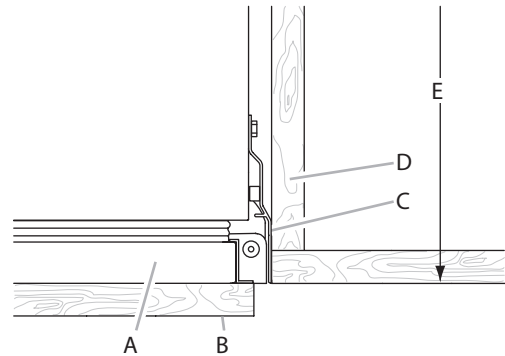


A. Refrigerator door  
B. Door panel  
C. Side trim

D. Adjacent cabinet  
E. Flush return filler  
F. 24" (60.9 cm)

### Frameless Cabinetry

#### Top View



A. Refrigerator door  
B. Door panel  
C. Side trim

D. Adjacent cabinet  
E. 24" (60.9 cm)

## FULLY INTEGRATED GRILLE INSTALLATION REQUIREMENTS

The refrigerator can be installed fully integrated if the adjacent cabinetry meets the airflow venting requirements critical to refrigerator performance. A Fully Integrated Grille installation has no visible air gap because the grille extends upward to the soffit or upper cabinet.

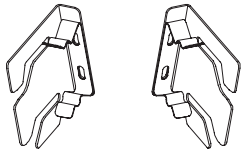
### IMPORTANT:

- A Fully Integrated Grille installation requires a minimum of 6" (15.24 cm) of open space above the refrigerator. This space must not be blocked in any way, including by soffits.
- Both Standard and Fully Integrated Grille installations can be achieved with either a 24" (60.9 cm) or 25" (63.5 cm) deep opening.
- A full height grille is used to achieve a Fully Integrated Grille installation. Use the integrated bracket (provided with refrigerator) to attach the full height grille.

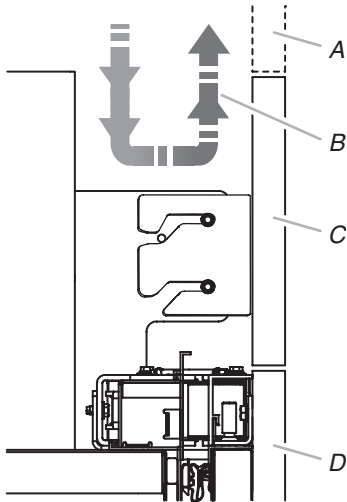


**NOTE:** A top grille filler is not required with a full height grille.

**INTEGRATED GRILLE BRACKET**



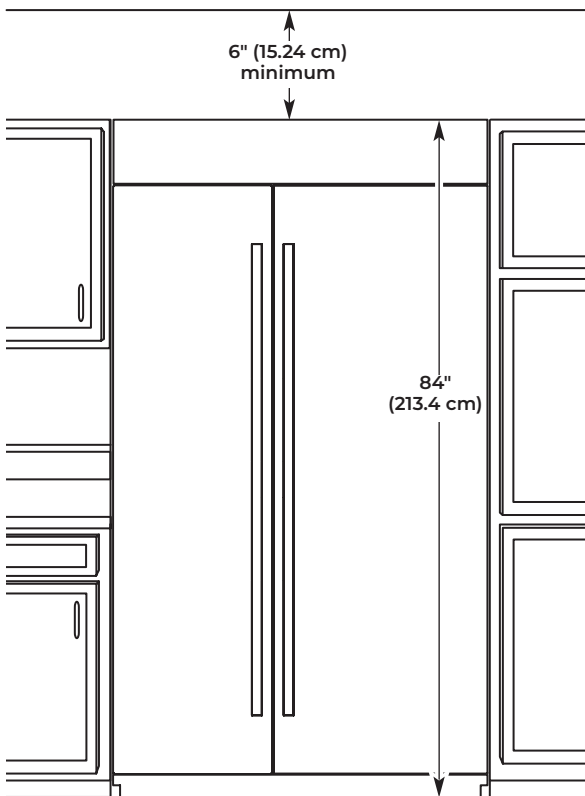
**Fully Integrated Grille Installation—Side View**



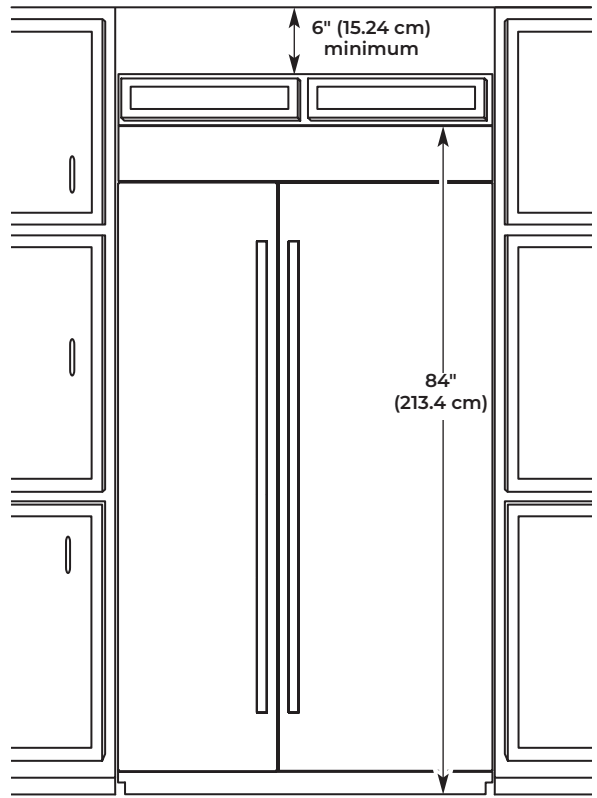
A. False front (optional)    C. Full height grille  
B. Airflow    D. Door panel

**FULLY INTEGRATED GRILLE INSTALLATION OPTIONS**

**Option 1—Open to Ceiling**



**Option 2—False Front (cabinet face only)**

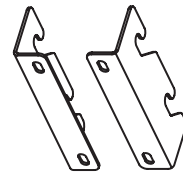


**STANDARD INTEGRATED GRILLE INSTALLATION REQUIREMENTS**

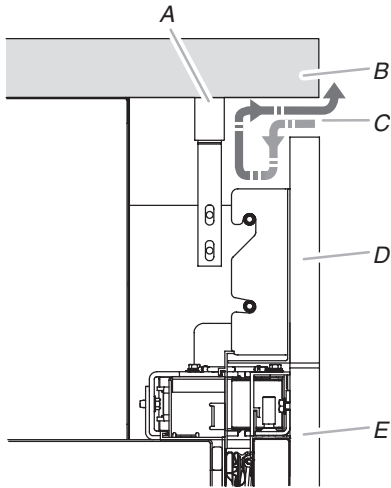
**IMPORTANT:**

- A Standard Integrated Grille installation can be achieved with either a 24" (60.9 cm) or 25" (63.5 cm) deep opening.
- Use the standard grille bracket (provided with refrigerator) to attach the standard grille.
- The grille panel height, shown in the "Standard Integrated Grille Installation—Side View" graphic, allows for an air gap critical to refrigerator performance.

**STANDARD GRILLE BRACKET**



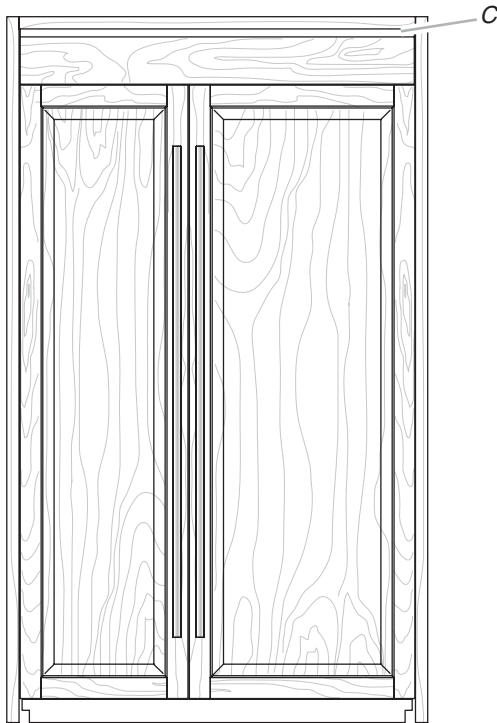
## STANDARD INTEGRATED GRILLE INSTALLATION—SIDE VIEW



A. Top grille filler  
B. Soffit  
C. Airflow

D. Grille panel  
E. Door panel

## STANDARD INTEGRATED GRILLE INSTALLATION—FULL PRODUCT VIEW



C. Airflow

## PANEL KIT INSTALLATION REQUIREMENTS

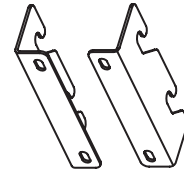
See the “Models” section to see the panel kit options available for your model.

### IMPORTANT:

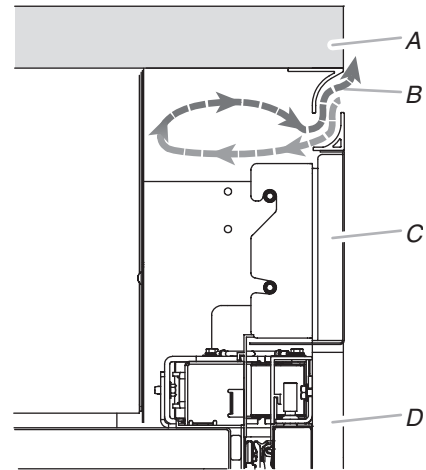
- A panel kit installation can be achieved with either a 24" (60.9 cm) or 25" (63.5 cm) deep opening.

- A standard grille is used to achieve a panel kit installation. Use the standard grille bracket (provided with refrigerator) to attach the standard grille.
- The grille panel height, shown in the “Panel Kit Installation—Side View” graphic, allows for an air gap critical to refrigerator performance.

### Standard Grille Bracket



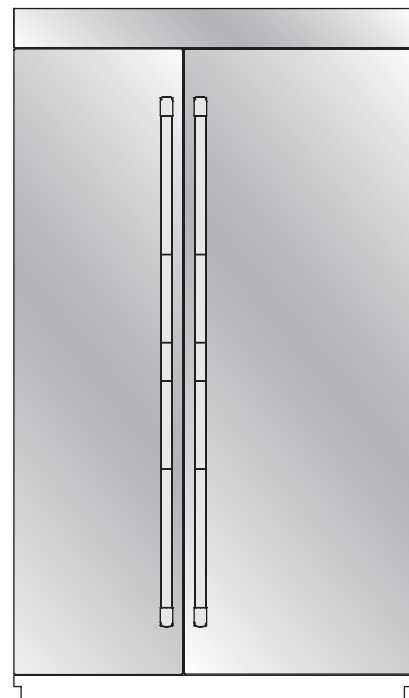
### Panel Kit Installation—Side View



A. Soffit  
B. Airflow

C. Grille panel  
D. Door panel

### PANEL KIT INSTALLATION—FULL PRODUCT VIEW



## CUSTOM WOOD OVERLAY PANELS

Custom wood overlay panels allow you to blend the exterior of your refrigerator into the overall kitchen decor and to use custom handles for additional design flexibility.

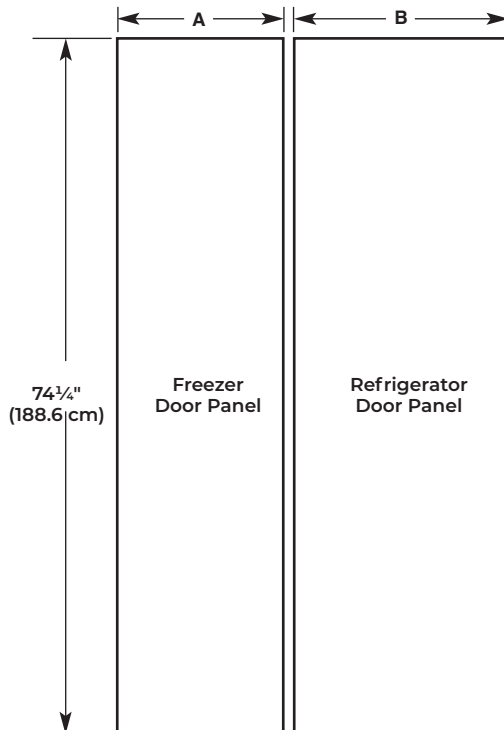
In some cases, your cabinet manufacturer may choose to work with one panel routed for the different dimensions. Follow these panel dimension and placement instructions to be sure that the custom wood overlay panels will fit properly.

### IMPORTANT:

- The weight of the refrigerator door wood overlay panel cannot exceed 66 lbs (29.9 kg) for 48" models or 65 lbs (29.5 kg) for 42" models.
- The weight of the freezer door wood overlay panel cannot exceed 50 lbs (23 kg) for 48" models or 49 lbs (22.2 kg) for 42" models.
- The weight of the top grille wood overlay panel cannot exceed 8 lbs (3.6 kg) for 48" models or 7 lbs (3.2 kg) for 42" models.
- The required thickness for all panels is 3/4" (1.91 cm).
- This installation does not require filler or backer panels.

## CUSTOM WOOD OVERLAY PANEL DIMENSIONS

### DOOR PANELS



### CAUTION

#### Pinch Hazard

Installation of door panels with less than a 3/8" (0.95 cm) gap between the door panel and the adjacent cabinet increases the risk of potential pinching.

Model	42		48	
Reveal	3/8"	1/8"	3/8"	1/8"
A	17 7/16" (44.61 cm)	17 3/16" (45.24 cm)	20 1/16" (50.96 cm)	20 5/16" (51.59 cm)
B	23 7/16" (59.85 cm)	23 3/16" (60.48 cm)	27 1/16" (68.74 cm)	27 5/16" (69.37 cm)

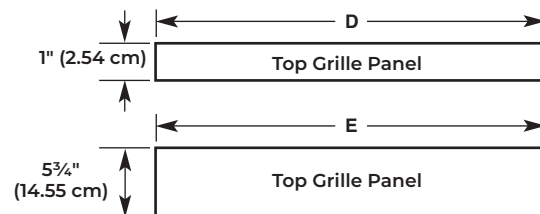
### GRILLE PANEL

#### Fully Integrated Grille Installation—Full Height Grille—Open Soffit



Model	42		48	
Reveal	3/8"	1/8"	3/8"	1/8"
C	41 1/4" (104.78 cm)	41 3/4" (106.05 cm)	47 1/4" (120.02 cm)	47 3/4" (121.29 cm)

#### Standard Grille Installation—Flush Grille—Open or Closed Soffit



Model	42		48	
Reveal	3/8"	1/8"	3/8"	1/8"
D	41 1/4" (104.78 cm)	41 3/4" (106.05 cm)	47 1/4" (120.02 cm)	47 3/4" (121.29 cm)
E	41 1/4" (104.78 cm)	41 3/4" (106.05 cm)	47 1/4" (120.02 cm)	47 3/4" (121.29 cm)

**IMPORTANT:** The grille panel height, shown in the "Standard Integrated Grille Installation—Side View" graphic, allows for an air gap critical to refrigerator performance.

JBSFS42NHL



---

# RISE™ 42" Fully Integrated Built-In Side-by-Side Refrigerator Panel-Kit

<http://www.jennair.com>

Additional Information:  
[Warranty Certificate](#)



Available in:

 Stainless Steel



©Registered trademark/TM Trademark of Whirlpool, U.S.A. © 2022 Whirlpool Corporation. All Rights Reserved.  
All other trademarks are owned by their respective companies.  
Because Whirlpool Corporation policy includes a continuous commitment to improve our products, we reserve the right to change materials and specifications without notice. We also reserve the right to discontinue or transition products without notice.  
Manufacturer's Suggested Retail Price (MSRP) and Minimum Advertised Price (MAP) provided for reference purposes only. Dealer alone determines advertised and retail prices.  
Created On: Thursday, October 27, 2022 11:03:13

PRESRV™

BEVERAGE  
COOLER

SINGLE ZONE



Always be ready to entertain guests — or just the family! — with our Presrv™ Beverage Cooler. Features such as a Full-Extension Wood Rack to hold your favorite wine and craft brew; a convenient retractable glass quarter-shelf that gives you the flexibility

to display taller bottles such as water, 2-liter bottles of soda, or champagne; PreciseTemp™ temperature control for maintaining accurate temperatures; and Active Cooling Technology to ensure even cooling all add up to the beverage cooler of your dreams.

**ZEPHYR**

ZEPHYRONLINE.COM



Retractable Quarter-Shelf



Full-Extension Wood Rack



Optional Pro Handle

**How Presrv™ Stands Out:**

34°

**PreciseTemp™**

Multiple internal sensors help maintain accurate temperatures



**Vibration Dampening System**

Noise and vibration is reduced to minimize wine disturbance



**Active Cooling Technology**

An on-board computer controls active cooling fans to provide temperature stability and even cooling



**3-Color LED Lighting**

Available in Cloud White, Deep Blue and Amber

**MODEL**

Single Zone Beverage Cooler PRB24C01BG

**Size** 24"  
**Dimensions** 23-7/8"W x 33-7/8"H x 23-5/8"D  
**Weight** 114lbs.  
**Installation Type** Compact / Built-in / Freestanding  
**Refrigerant Type** R600a

**FEATURES**

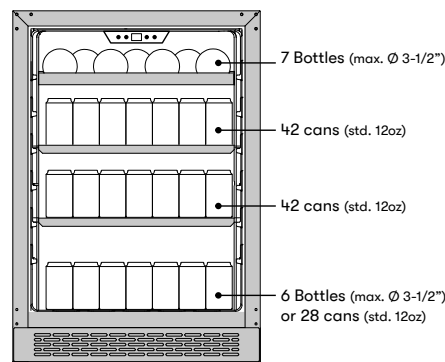
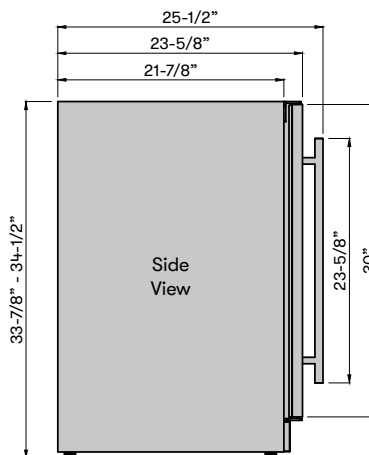
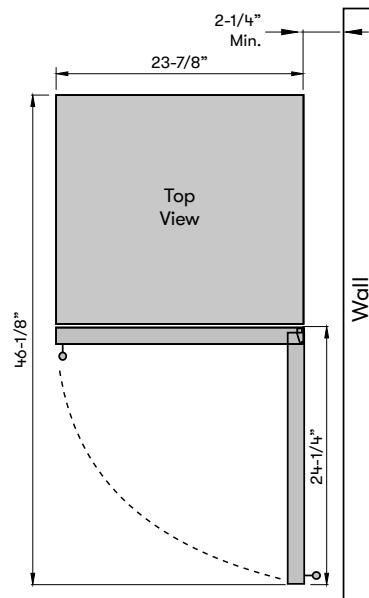
**Capacity** 13 bottles (750 ml), 8+ 12oz cans or 7 bottles (750 ml), 112 12oz cans  
**Volume** 5.6 cu/ft  
**Temperature Range** 34° - 50° F  
**Sound Level** 39 dBA  
**Door Finish** 304-grade Stainless + Glass  
**Cabinet Finish** Black  
**Interior Finish** Black  
**Field-Reversible Door** Yes  
**Zero-Clearance Door Hinge** Yes  
**Door Glass** Dual-pane, Low-e Argon-filled\*  
**Shelving - Wood** 1 full-extension, black wood rack w/ stainless trim  
**Shelving - Beverage** 1 adjustable, transparent-gray glass retractable quarter-shelf  
 1 adjustable, transparent-gray glass shelves w/ airflow openings  
**Controls** Electronic Capacitive Touch  
**Lighting** 3-Color LED  
 Cloud White, Deep Blue, Amber  
**Door Open Alarm** Yes, after 3 minutes  
**Sabbath Mode** Yes  
**Air Filtration** Yes, w/ carbon filter  
**PreciseTemp™** Yes  
**Active Cooling Technology** Yes  
**Vibration Dampening System** Yes

**AC POWER** 115V, 60Hz at Max. 1.0A

**OPTIONAL ACCESSORIES**

**Contemporary Handle Kit** PRHAN-C102 (Brushed Gold)  
**Contemporary Handle Kit** PRHAN-C104 (Matte Black)  
**Pro Handle Kit** PRHAN-C001 (Stainless Steel)  
**Glass Shelf** 50150015

**WARRANTY** 2 years parts, 5 years compressor  
 1 year labor



\*Dual-pane, argon-filled glass improves insulation to minimize heat exchange and increases soundproofing characteristics. The Low-e coating helps minimize the amount of UV and infrared light that passes through the glass door.

**Transforming the Kitchen through Design, Discovery, and Care**

Specifications subject to change, check zephyronline.com for up-to-date information.  
 Zephyr | 2277 Harbor Bay Parkway, Alameda, CA 94502 | 888.880.8368



WRS571CIHZ



## 36-inch Wide Counter Depth Side-by-Side Refrigerator - 21 cu. ft.

<http://www.whirlpool.com>



### Key Features:

- Counter Depth Design
- Fingerprint Resistant
- Exterior Ice and Water Dispenser with EveryDrop™ Filtration
- Measured Fill
- In-Door-Ice® Storage
- Accu-Chill™ Temperature Management System
- Frameless Glass Shelves
- Adjustable Gallon Door Bins
- FreshFlow™ Air Filter
- Adaptive Defrost
- Humidity-Controlled Crispers
- LED Interior Lighting

### Product Dimensions:

Height: 68 7/8

Width: 36

Depth: 29 3/4

### Additional Information:

[Energy Guide](#)

[Warranty Certificate](#)

### Available in:

- Black
- Fingerprint Resistant Black
- Stainless
- White
- Fingerprint Resistant Stainless
- Steel



©Registered trademark/TM Trademark of Whirlpool, U.S.A. © 2016 Whirlpool Corporation. All Rights Reserved. All other trademarks are owned by their respective companies.

Because Whirlpool Corporation policy includes a continuous commitment to improve our products, we reserve the right to change materials and specifications without notice. We also reserve the right to discontinue or transition products without notice.

Manufacturer's Suggested Retail Price (MSRP) and Minimum Advertised Price (MAP) provided for reference purposes only. Dealer alone determines advertised and retail prices.

Created On: Tuesday, February 16, 2021 06:37:15

# INSTALLATION REQUIREMENTS

## Tools and Parts

### IMPORTANT:

- Observe all governing codes and ordinances.
- Installer: Leave Installation Instructions with homeowner.
- Homeowner: Keep Installation Instructions for future reference and for the local electrical inspector's use.
- Keep cardboard shipping piece or plywood under refrigerator until it is installed in the operating position.
- Comply with installation specifications and dimensions.
- Remove any moldings or decorative panels from kitchen cabinets that would not allow access to the refrigerator for service.
- Contact a qualified electrical installer.

### TOOLS NEEDED (on some models):

Gather the required tools and parts before starting installation. Read and follow the instructions provided with any tools listed here.

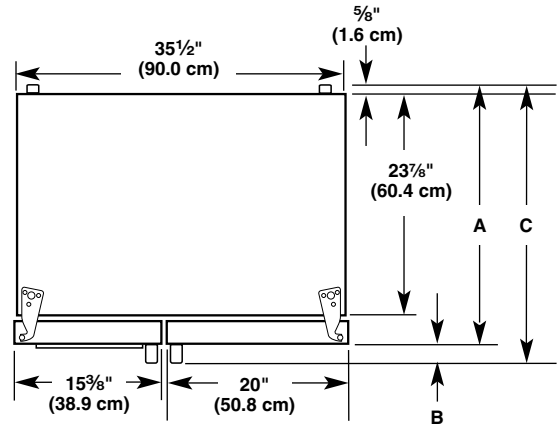
- Cordless drill
- 5/16" or adjustable wrench
- 1/4" Nut driver and drill bit
- 7/16" and 1/2" Open-end wrenches
- Flat-blade screwdriver
- Two adjustable wrenches
- 3/8" and 1/2" Socket wrenches

### PARTS NEEDED (on some models):

- Your refrigerator dealer has a kit available with a 1/4" (6.35 mm) saddle-type shutoff valve, a union, and copper tubing.
- Or you can purchase a 1/4" (6.35 mm) copper tubing with shutoff valve and a 1/4" (6.35 mm) compression fitting (coupling).
- Depending on water line connections, you may also need a 1/4" (6.35 mm) nut and 1/4" (6.35 mm) ferrule.

## Product Dimensions

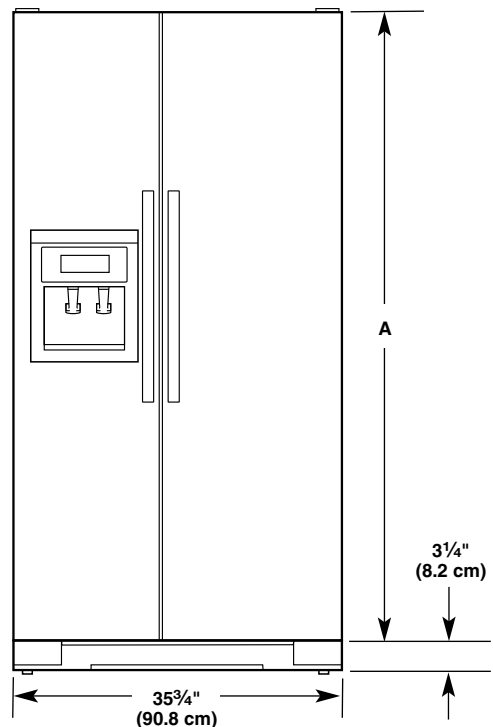
### Top View



Door Style	Depth A	Depth B	Depth C
Flat	27 1/2" (69.8 cm)	2 5/8" (6.5 cm) maximum*	30" (76.3 cm) maximum*
Curved	28 5/8" (72.5 cm)	2 5/8" (6.5 cm)	31 1/8" (79.1 cm)

\*Dimension may vary based on style of door handle. The depth for the largest available handle is listed.

### Front View

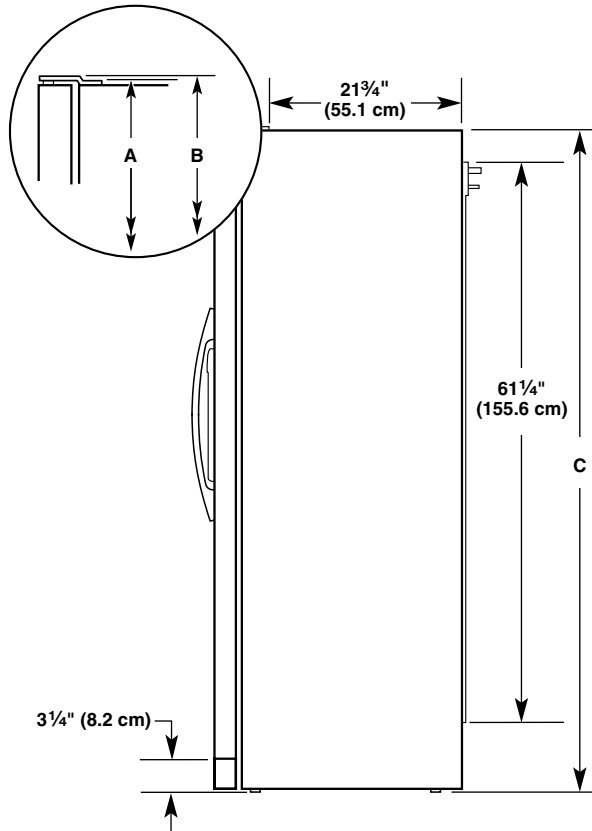


Model Size	Height A
69"	65 3/4" (166.9 cm)
72"	68 1/8" (172.9 cm)



## Side View

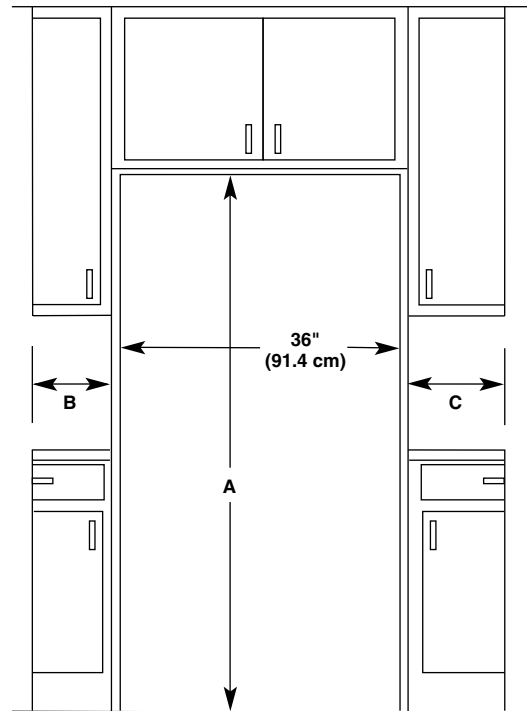
- Height dimensions are shown with the leveling legs extended to the minimum height of ¼" (6.35 mm) below the refrigerator.
- **NOTE:** When leveling legs are fully extended to 1" (25 mm) below the refrigerator, add ¾" (19 mm) to the height dimensions.
- The power cord is 61¼" (155.6 cm) long.
- The water line attached to the back of the refrigerator is 78" (198.1 cm) long.



Model Size	Height A	Height B	Height C
69"	68 <sup>7</sup> / <sub>8</sub> " (174.8 cm)	68 <sup>7</sup> / <sub>8</sub> " (174.9 cm)	68 <sup>1</sup> / <sub>2</sub> " (174.2 cm)
72"	71 <sup>1</sup> / <sub>4</sub> " (180.8 cm)	71 <sup>1</sup> / <sub>4</sub> " (180.9 cm)	71" (180.2 cm)

## Opening Dimensions

- Height dimensions are shown with the leveling legs extended to the minimum height of ¼" (6.35 mm) below the refrigerator.
- **NOTE:** When leveling legs are fully extended to 1" (25 mm) below the refrigerator, add ¾" (19 mm) to the height dimensions.
- In the following graphic, "A" represents the opening height required for standard cabinets. For full-overlay cabinet doors with a trim kit, add ½" (0.3 cm).
- In the following graphic, "B" represents the distance needed to fully open the freezer door and "C" represents the distance needed to fully open the refrigerator door.

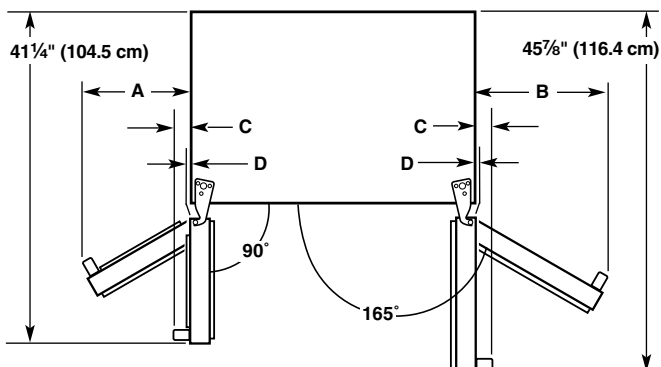


Model Size and Door Style	Height A	Width B	Width C
69" Flat	69" (175.3 cm)	13 <sup>5</sup> / <sub>8</sub> " (34.5 cm) maximum*	18 <sup>1</sup> / <sub>8</sub> " (46.0 cm) maximum*
72" Flat	72" (182.9 cm)	13 <sup>5</sup> / <sub>8</sub> " (34.5 cm) maximum*	18 <sup>1</sup> / <sub>8</sub> " (46.0 cm) maximum*
69" Curved	69" (175.3 cm)	13 <sup>3</sup> / <sub>4</sub> " (34.9 cm)	18 <sup>3</sup> / <sub>8</sub> " (46.4 cm)
72" Curved	72" (182.9 cm)	13 <sup>3</sup> / <sub>4</sub> " (34.9 cm)	18 <sup>3</sup> / <sub>8</sub> " (46.4 cm)

\*Dimension may vary based on style of door handle.  
The width for the largest available handle is listed.

## Door Swing Dimensions

- Location must permit doors to open to a minimum of 165°.
- In the following graphic, "A" represents the distance needed to fully open the freezer door and "B" represents the distance needed to fully open the refrigerator door.



Dimension	Flat Doors	Curved Doors
A	13 <sup>5</sup> / <sub>8</sub> " (34.5 cm) maximum*	13 <sup>3</sup> / <sub>4</sub> " (34.9 cm)
B	18 <sup>1</sup> / <sub>8</sub> " (46.0 cm) maximum*	18 <sup>3</sup> / <sub>8</sub> " (46.4 cm)
C	2 <sup>3</sup> / <sub>4</sub> " (6.7 cm) maximum*	3 <sup>3</sup> / <sub>4</sub> " (9.4 cm)
D	1 <sup>1</sup> / <sub>8</sub> " (0.2 cm)	1 <sup>1</sup> / <sub>4</sub> " (2.9 cm)

\*Dimension may vary based on style of door handle. The width for the largest available handle is listed.

## Location Requirements

### ⚠ WARNING



#### Explosion Hazard

Keep flammable materials and vapors, such as gasoline, away from refrigerator.

Failure to do so can result in death, explosion, or fire.

#### NOTES:

- The refrigerator can be installed into a recessed opening, at the end of cabinets or as a freestanding refrigerator.
- If you are installing the refrigerator to fit flush with the front of the base cabinets, all shoe moulding and baseboards must be removed from the rear of the refrigerator opening. Allow for 1" (2.54 cm) of space behind the refrigerator.

- Location should permit doors to open fully. See "Product Dimensions."
- This refrigerator is intended for use in a location where the temperature ranges from a minimum of 55°F (13°C) to a maximum of 110°F (43°C). The preferred room temperature range for optimum performance, which reduces electricity usage and provides superior cooling, is between 60°F (15°C) and 90°F (32°C). It is recommended that you do not install the refrigerator near a heat source, such as an oven or radiator.
- Floor must support refrigerator weight (more than 600 lbs [272 kg]) and contents.

## Electrical Requirements

### ⚠ WARNING



#### Electrical Shock Hazard

Plug into a grounded 3 prong outlet.

Do not remove ground prong.

Do not use an adapter.

Do not use an extension cord.

Failure to follow these instructions can result in death, fire, or electrical shock.

Before you move your refrigerator into its final location, it is important to make sure you have the proper electrical connection.

#### Recommended Grounding Method

A 115 volt, 60 Hz, AC only, 15- or 20-amp fused, grounded electrical supply is required. It is recommended that a separate circuit serving only your refrigerator be provided. Use an outlet that cannot be turned off by a switch. Do not use an extension cord.

**NOTE:** Before performing any type of installation or cleaning, or removing a light bulb, turn cooling off or turn the control (Thermostat, Refrigerator or Freezer Control depending on the model) to OFF, and then disconnect the refrigerator from the electrical source. When you are finished, reconnect the refrigerator to the electrical source and turn cooling on or reset the control (Thermostat, Refrigerator or Freezer Control depending on the model) to the desired setting. See "Using the Controls" in the User Instructions, User Guide, or Use & Care Guide.