



**specialty**appliance  
buy smarter

[www.BUYFROMSA.com](http://www.BUYFROMSA.com)

## HARVEST RIDGE SOUTH

Ridgeway Custom Homes LLC

Brian Terpstra

[brian@buyfromsa.com](mailto:brian@buyfromsa.com)



### REMINDER:

To ensure a smooth project it is the responsibility of the homeowner / purchaser of appliances for this project to share all the attached specifications to ensure the cabinet provider, contractor, or any other tradesperson have all the information required to complete their work accurately.

Specifications are subject to change. If any tradesperson has questions regarding the attached specifications please contact our sales associate.



**specialty**appliance  
buy smarter

## Guidelines for the Best Experience

- Orders are initiated by a deposit. Full payment is required to schedule delivery and installation. There is typically a 2-3 week lead time for scheduling installation services. Please plan accordingly.
- Special Order items require a 100% deposit and are non-returnable and non-refundable. Your Sales Associate will identify what products (if any) are considered Special Order items.
- It is the Purchaser's responsibility to ensure that the site is Spec-Ready. Spec Ready means that the site is prepared in exact accordance with the manufacturer's specification as provided. If the site is not Spec-Ready, we will not be able to complete your installation as planned. It is the purchaser's responsibility to contract other needed professional services (carpenter, plumber, HVAC, electrician, etc.).
- Specialty Appliance needs open and safe access to and on your property to execute a successful delivery and install. Walkways must be clean of debris and/or snow and at least 3 ft. wide. Our Teams need an unobstructed path from the point of entrance to the final delivery location. Please advise your Sales Associate if your property has any unique obstructions that might make it difficult to facilitate the delivery (Like narrow stairs, stairs more than one story high, uneven terrain, low ceilings, etc.).
- There is a national shortage of appliances. The E.T.A.'s we get from manufacturers are rarely accurate and will likely change many times. We will do our best to keep you informed but due to the number of orders and corresponding changes- we simply cannot advise you of every change.
- Specialty Appliance will accept returns on normally stocked items within 30 days of the initial delivery date (Special Order items are non-returnable). Returned product is subject to a restocking fee.
- The appliances sold by Specialty Appliance are warranted by the respective manufacturer- not Specialty Appliance. Specialty Appliance does warrant our installation services for 1 full year.
- Our Customer Service team is here to help facilitate service as needed within the manufacturer's warranty.
- Orders must be paid in full in order to be scheduled for delivery/install.
- Cosmetic damage issues must be reported within 24 hours of the delivery. Specialty Appliance will not accept any liability for cosmetic issues reported more than 24 hours after a delivery.
- Specialty Appliance will confirm your anticipated target dates for delivery. Specialty Appliance cannot hold merchandise for more than 30 days. You may need to make storage arrangements if your project is delayed more than 30 days from your confirmed target date.

*Refer to [www.buyfromsa.com/terms-and-conditions](http://www.buyfromsa.com/terms-and-conditions) for complete terms and conditions*

**Thank you for choosing Specialty Appliance!**



# HARVEST RIDGE SOUTH

Ridgeway Custom Homes LLC

BERTHOUD, CO 80513



## Specialty Appliance

buyfromsa.com

**Brian Terpstra**

970-223-2098

Quote **FQ1043016**

Version 8.8

Thu, Jun 22, 2023

10:16 AM MDT



[enterprise.steelcod.com/sp/saco/X7LQ152L](https://enterprise.steelcod.com/sp/saco/X7LQ152L)

<i>Contents</i>	<i>Page no.</i>
<b>Kitchen</b>	<b>4-5</b>
KitchenAid Dishwasher <b>KDTE204KPS</b>	<b>6-10</b>
KitchenAid Cooktop <b>KCGS556ESS</b>	<b>11-15</b>
Zephyr Ventilation <b>AK9134BS</b>	<b>16-17</b>
KitchenAid Wall Oven <b>KOCE500ESS</b>	<b>18-19</b>

**Note about page numbers:**

Because the original manufacturer's documents are not altered in any way, the page numbers displayed on the page may not correspond to the page number within this package.

**All specifications are intended for initial planning purposes only.**

Manufacturers reserve the right to change specifications at any time without notice. Always consult the installation instructions found on the manufacturer's website or included with the appliances before installation.



**specialty**appliance  
buy smarter

HARVEST RIDGE SOUTH

Ridgeway Custom Homes LLC

Kitchen

*Model*

---

KitchenAid Dishwasher

**KDTE204KPS**



KitchenAid Cooktop

**KCGS556ESS**



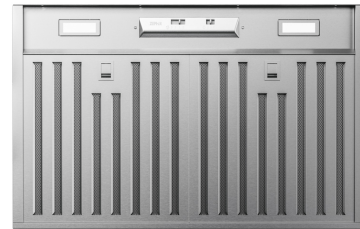


HARVEST RIDGE SOUTH  
Ridgeway Custom Homes LLC

Kitchen

Zephyr Ventilation  
**AK9134BS**  
36" Monsoon Mini Insert

**NOTE: FOR USE WITH  
CUSTOM HOOD WRAP**



KitchenAid Wall Oven  
**KOCE500ESS**

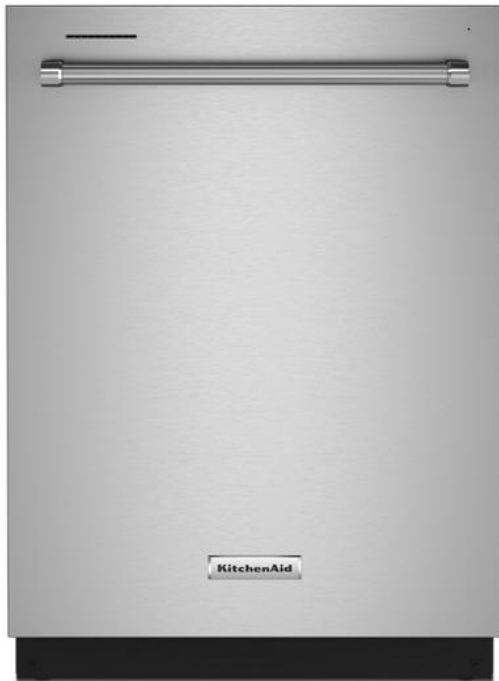


# KDTE204KPS



## 39 dBA Dishwasher in PrintShield™ Finish with Third Level Utensil Rack

<http://www.kitchenaid.com>



### Key Features:

- 39 dBA
- ProWash™ Cycle
- Heat Dry Option
- Third Level Utensil Rack
- Extended Heat Dry Option
- Durable Stainless Steel Interior
- SatinGlide® Rails in Third and Middle Racks
- Express Wash Cycle
- Top Controls
- Adjustable Middle Rack

### Product Dimensions:

Height: 34 1/2

Width: 23 7/8

Depth: 26 3/4

### Additional Information:

[Dimension Guide](#)

[Energy Guide](#)

[Warranty Certificate](#)

Available in:

- Black
- Black Stainless Steel with PrintShield™ Finish
- Stainless Steel with PrintShield™ Finish
- White

INVESTED  
IN  
AMERICA



©Registered trademark/TM Trademark of Whirlpool, U.S.A. © 2016 Whirlpool Corporation. All Rights Reserved. All other trademarks are owned by their respective companies.

Because Whirlpool Corporation policy includes a continuous commitment to improve our products, we reserve the right to change materials and specifications without notice. We also reserve the right to discontinue or transition products without notice.

Manufacturer's Suggested Retail Price (MSRP) and Minimum Advertised Price (MAP) provided for reference purposes only. Dealer alone determines advertised and retail prices.

Created On: Tuesday, July 28, 2020 08:39:51



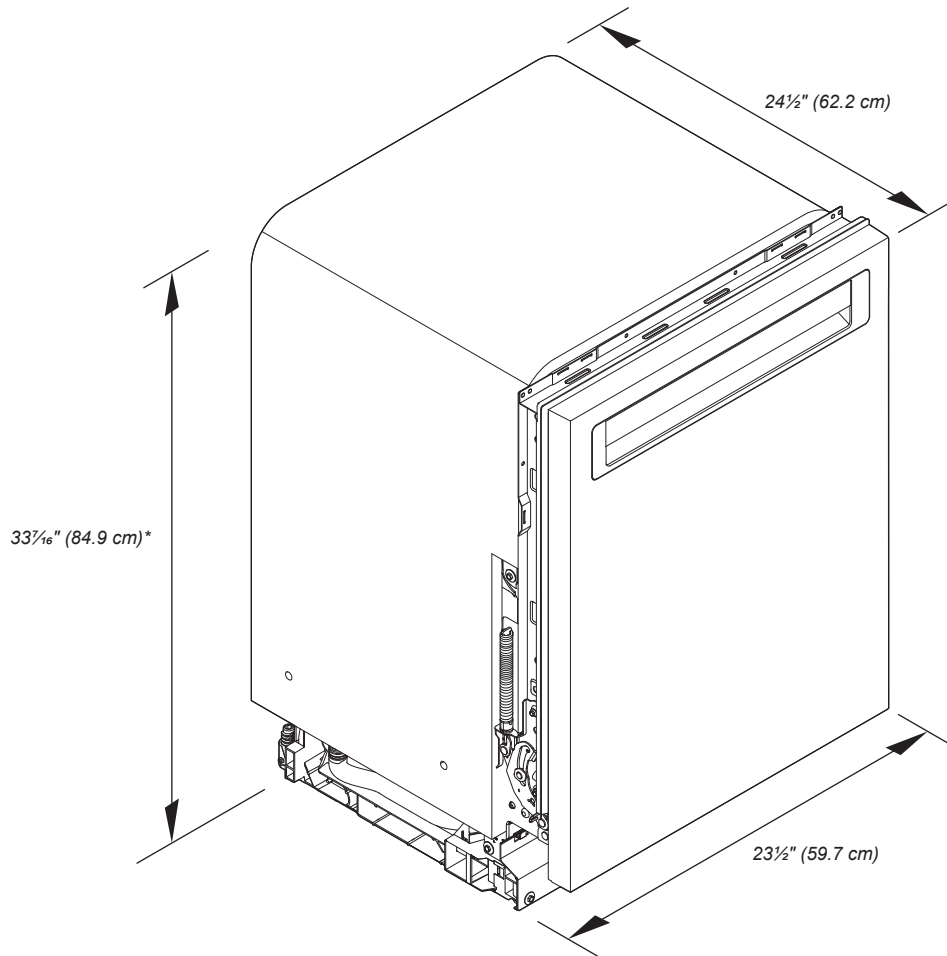
# 24" Dishwasher

## DETAILED PLANNING DIMENSIONS GUIDE

Applies to all model numbers starting with;

KDFE104K, KDFE204K, KDTE204K, KDTE204LPA, KDFM404K,  
KDTM404K, KDPM604K, KDTM604K, KDPM704K, KDTM704K,  
KDTM704LPA, KDPM804K, KDTM804K

### PRODUCT DIMENSIONS



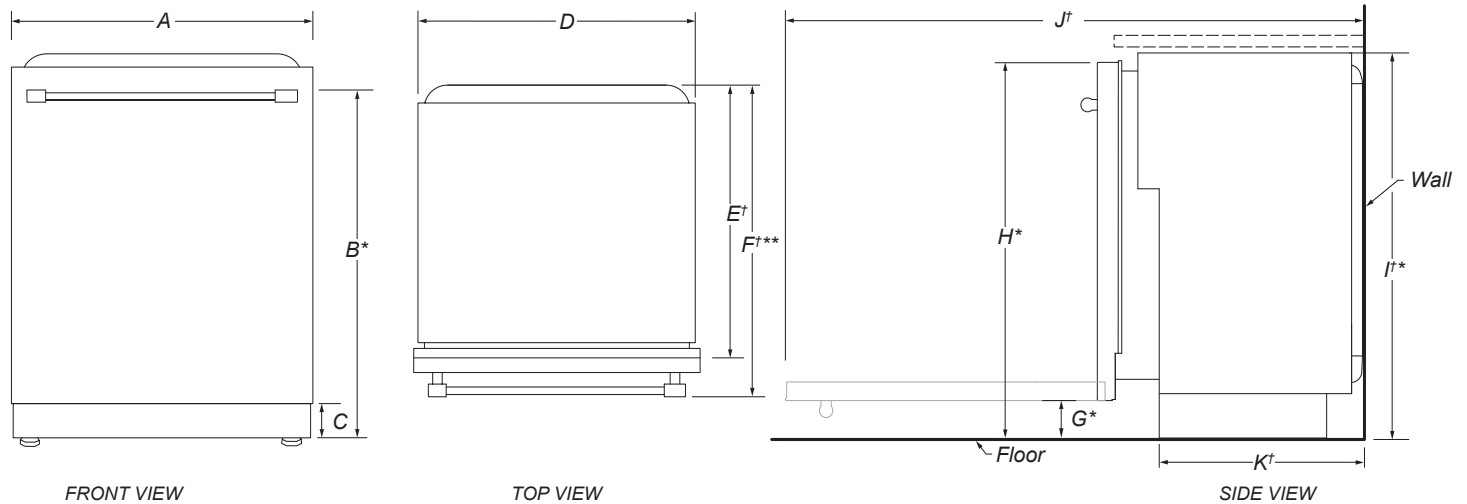
\*Dishwasher can be raised  $1\frac{7}{16}$ " (3.7 cm) with feet fully extended.

Because Whirlpool Corporation policy includes a continuous commitment to improve our products, we reserve the right to change materials and specifications without notice.

Dimensions are for planning purposes only. For complete details, see Installation Instructions packed with product. Specifications subject to change without notice.

## 24" Dishwasher DETAILED PLANNING DIMENSIONS GUIDE

### PRODUCT DIMENSIONS (CONTD.)



	DESCRIPTION	DIMENSIONS
<b>A</b>	Width of door	23½" (59.7 cm)
<b>B*</b>	Height to top of handle	30⅜" (78.3 cm)
<b>C</b>	Height of adjustable toe kick	3⅝" (8.4 cm) - min. 4⅛" (11.8 cm) - max.
<b>D</b>	Width of recessed dishwasher	22⅝" (57.4 cm)
<b>E†</b>	Depth without door	22⅝" (57.5 cm)
<b>F†**</b>	Depth with Towel Bar Handle	26⅞" (68.3 cm)
	Depth with Pocket Handle	24½" (62.6 cm)
	Depth of Panel-Ready Models	24" (61.0 cm)
<b>G*</b>	Height to bottom of door (min.)	3⅝" (8.4 cm)
<b>H*</b>	Height to top of door (min.)	33⅞" (84.9 cm)
<b>I*</b>	Height of recessed dishwasher (min.)	33⅝" (85.4 cm)
<b>J†</b>	Depth with door fully open (min.)	50⅜" (127.4 cm)
<b>K†</b>	Depth with toe kick (min.)	20⅜" (52.9 cm)

†Insulation blanket thickness adds up to 11/16" (1.8 cm) but can crush up to 1/8" (0.3 cm).

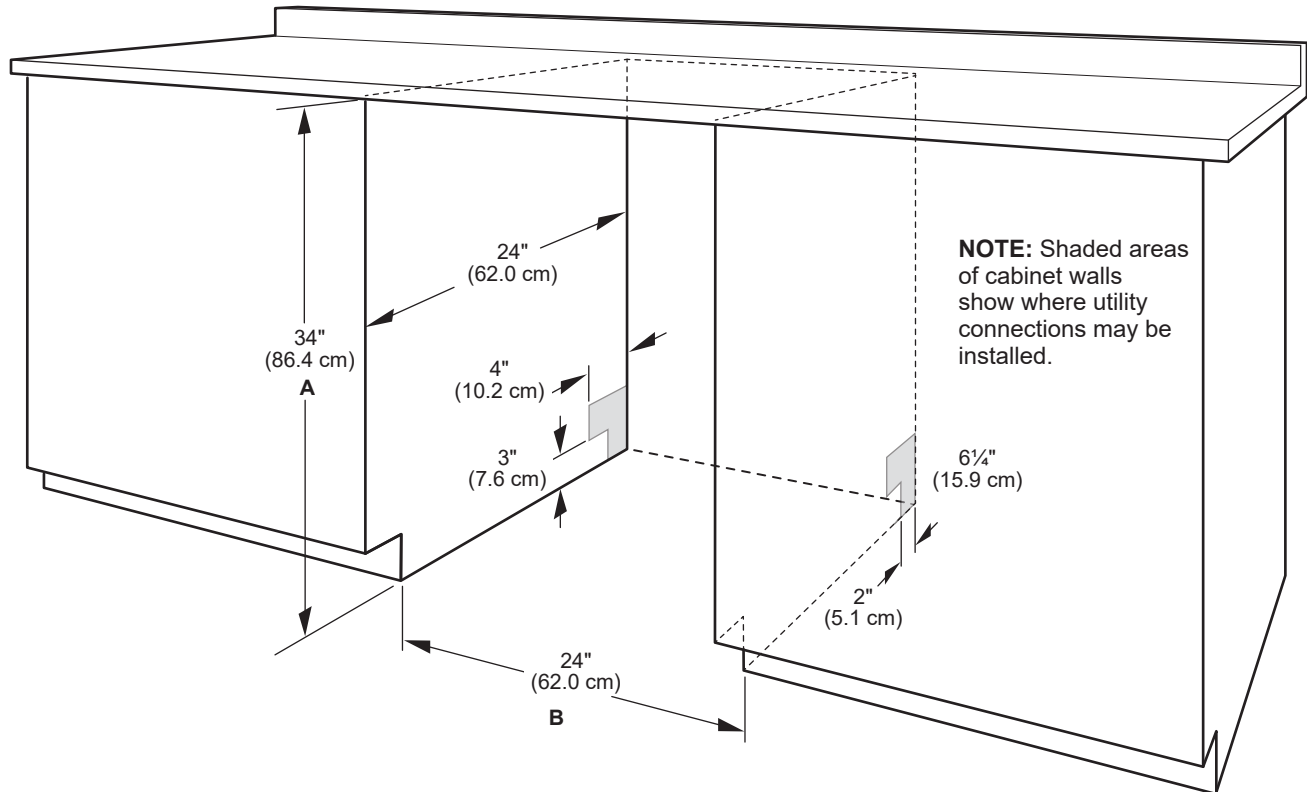
\*Dishwasher can be raised 1⅞" (3.7 cm) with feet fully extended.

\*\*For panel-ready models, dishwasher depth is 24" (61.0 cm), not including the 3/4" (1.9 cm) custom door panel.



### OPENING/CLEARANCE DIMENSIONS

**IMPORTANT:** Check that all surfaces have no protrusions that would prohibit dishwasher installation.



A. Measured from the lowest point on the underside of the countertop. May be reduced to 33½" (85.1 cm) by removing the wheels and perforated area of insulation (blanket) on dishwasher.

B. Minimum, measured from narrowest point of opening.

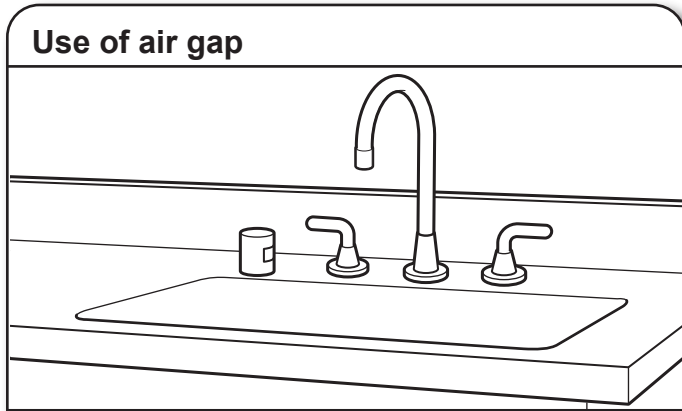
**NOTE:** Corner locations require a 2" (5.1 cm) minimum clearance between the side of the dishwasher door and the wall or cabinet.

## DRAIN REQUIREMENTS

- A new drain hose is supplied with your dishwasher. If drain hose is not long enough, use a new drain hose with a maximum length of 12 ft (3.7 m) that meets all current AHAM/ IAPMO test standards, is resistant to heat and detergent, and fits the 1" (2.5 cm) drain connector of the dishwasher.

**NOTE:** Do not connect multiple drain hoses together.

- Make sure to connect drain hose to waste tee or disposer inlet above drain trap in house plumbing and 20" (50.8 cm) minimum above the floor. It is recommended that the drain hose either be looped up and securely fastened to the underside of the counter or be connected to an air gap.
- Make sure to use an air gap if the drain hose is connected to house plumbing lower than 20" (50.8 cm) above subfloor or floor.



- If required, the air gap should be installed in accordance with the air gap installation instructions. When you are connecting the air gap, a rubber hose (not provided) will be needed to connect to the waste tee or disposer inlet.
- Use 1/2" (1.3 cm) minimum I.D. drain line fittings.

## WATER SUPPLY REQUIREMENTS

- This dishwasher has a water heating feature and also requires a connection to a hot water supply line.
  - A hot water line with 20 psi to 120 psi (138 kPa to 862 kPa) water pressure can be verified by a licensed plumber.
  - 120°F (49°C) water at dishwasher.
  - 3/8" (0.95 cm) O.D. copper tubing with compression fitting or flexible braided water supply line.
- NOTE:** 1/2" (1.3 cm) minimum plastic tubing is not recommended.
- A 90° elbow with 3/4" (0.95 cm) hose connection with rubber washer.
  - Do not solder within 6" (15.2 cm) of the water inlet valve.
  - If installed in new construction, make sure the house water supply lines have been flushed prior to connecting the dishwasher to remove any debris that may exist in the supply line.

**NOTE:** If replacing an existing dishwasher, it is recommended to install a new water line and drain hose (supplied) with the new dishwasher.

## ELECTRICAL REQUIREMENTS

### ⚠ WARNING



#### Electrical Shock Hazard

**Plug into a grounded 3 prong outlet.**

**Do not remove ground prong.**

**Do not use an adapter.**

**Do not use an extension cord.**

**Failure to follow these instructions can result in death, fire, or electrical shock.**

Be sure that the electrical connection and wire size are adequate and in conformance with the National Electrical Code, ANSI/NFPA 70 - latest edition, and all local codes and ordinances.

A copy of the above code standards can be obtained from:

National Fire Protection Association  
1 Batterymarch Park  
Quincy, MA 02169-7471

#### You Must Have:

- 120 V, 60 Hz, AC only, 15 A or 20 A, fused electrical supply
- Copper wire only
- A maximum of 2 field wiring supply conductors (12 AWG largest size) plus 1 grounding conductor are permitted in the terminal box.


#### We Recommend:

- A time-delay fuse or circuit breaker.

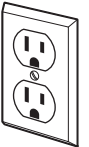

#### Circuit Requirements:

- The dishwasher may be installed on the same circuit as a garbage disposal providing that the branch circuit cannot exceed rated circuit load and must comply with all governing codes and regulations such as but not limited to National Electrical Code, ANSI/NFPA 70 - latest edition.
- No electrical connections other than the dishwasher power and ground connections can be made inside of the dishwasher terminal box.

#### If connecting dishwasher with a power supply cord:

- Use UL Listed power cord kit marked for use with dishwasher. 
- Plug into a grounded 3 prong outlet. Outlet must meet all local codes and ordinances.

#### If connecting dishwasher with direct wiring:

- Use flexible, armored, or nonmetallic sheathed copper wire with grounding wire that meets the wiring requirements for your home and local codes and ordinances. 
- Use a UL Listed/CSA Approved metallic strain relief. 

# 30" (76.2 CM) AND 36" (91.4 CM) GAS BUILT-IN COOKTOP

## PRODUCT MODEL NUMBERS

KCGS350E	KCGS950E	MGC9530D	WCG75US0D
KCGS356E	KCGS956E	MGC9536D	WCG97US0D
KCGS550E	MGC7430D	WCG51US0D	WCG97US6D
KCGS556E	MGC7536D	WCG51US6D	

## GAS SUPPLY REQUIREMENTS

### Type of Gas

Natural Gas:

- This cooktop is factory set for use with Natural gas. If converting to LP gas, see the "LP Gas Conversion" instructions provided in the package containing literature. The model/serial rating plate located on the underside of the cooktop base has information on the types of gas that can be used. If the types of gas listed do not include the type of gas available, check with the local gas supplier.

LP Gas Conversion:

Conversion must be done by a qualified service technician.

No attempt shall be made to convert the cooktop from the gas specified on the model/serial rating plate for use with a different gas without consulting the serving gas supplier. See the Gas Conversion instructions provided in the package containing literature.

### Gas Supply Line

- Provide a gas supply line of  $\frac{3}{4}$ " (1.9 cm) rigid pipe to the cooktop location. A smaller size pipe on longer runs may result in insufficient gas supply. Pipe-joint compounds that resist the action of LP gas must be used. Do not use TEFLON<sup>®</sup> tape. With LP gas, piping or tubing size should be  $\frac{1}{2}$ " minimum. Usually, LP gas suppliers determine the size and materials used in the system.

Flexible metal appliance connector:

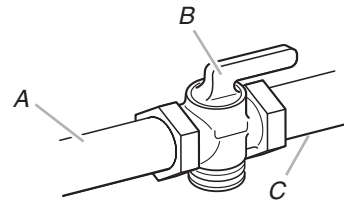
- If local codes permit, use a  $\frac{1}{2}$ " or  $\frac{3}{4}$ " I.D. flexible stainless steel tubing gas connector, designed by CSA to connect the cooktop to the rigid gas supply line.



- A  $\frac{1}{2}$ " male pipe thread is needed for connection to the female pipe threads of the inlet to the cooktop pressure regulator.
- Do not kink or damage the flexible metal tubing when moving the cooktop.

- Must include a shutoff valve:

The supply line must be equipped with a manual shutoff valve. This valve should be located in the same room but external to the cooktop opening, such as an adjacent cabinet. It must be accessible without removing the cooktop, and it should be in a location that allows ease of opening and closing. Do not block access to shutoff valve. The valve is for turning on or shutting off gas to the cooktop.



A. Gas supply line  
B. Shutoff valve "open" position  
C. To cooktop

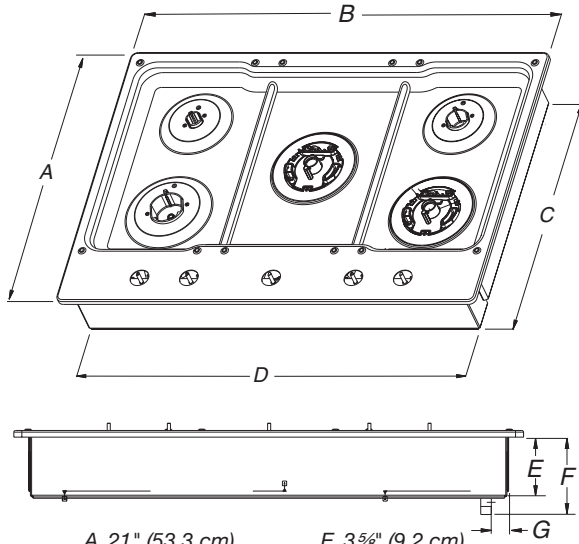
<sup>1</sup>®TEFLON is a registered trademark of E.I. Du Pont De Nemours and Company.

## ELECTRICAL REQUIREMENTS

- A 120 volt, 60 Hz, AC only, 15-amp, fused electrical circuit is required. A time-delay fuse or circuit breaker is also recommended. It is recommended that a separate circuit serving only this cooktop be provided.
- Electronic ignition systems operate within wide voltage limits, but proper grounding and polarity are necessary. Check that the outlet provides 120-volt power and is correctly grounded.

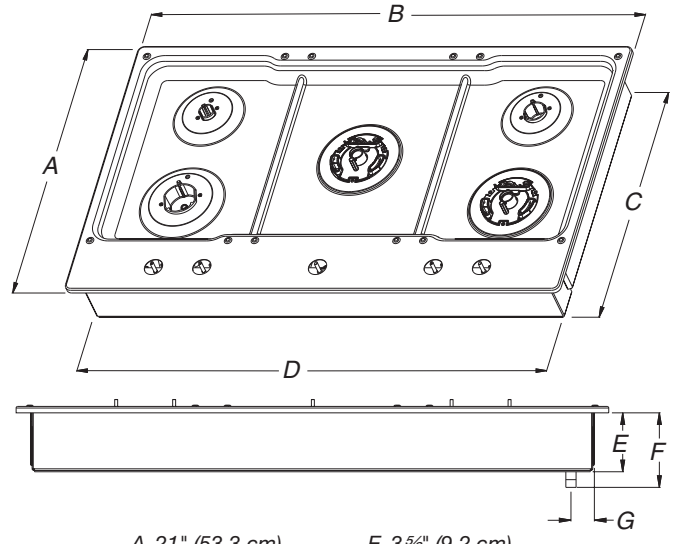
**PRODUCT DIMENSIONS**

**KCGS550ESS and KCGS950ESS Models**



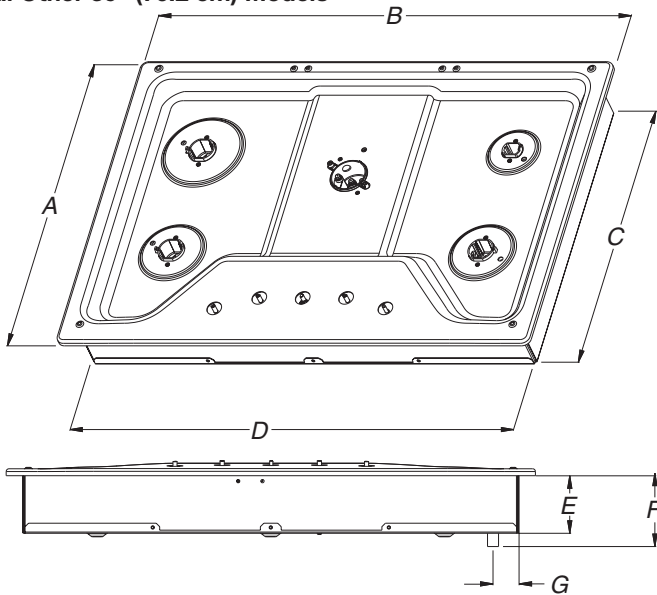
- A. 21" (53.3 cm)
- B. 30" (76.2 cm)
- C. 19<sup>3</sup>/<sub>8</sub>" (49.2 cm)
- D. 28<sup>3</sup>/<sub>8</sub>" (72.1 cm)
- E. 3<sup>5</sup>/<sub>8</sub>" (9.2 cm)
- F. 4<sup>9</sup>/<sub>16</sub>" (11.6 cm)
- G. 1<sup>3</sup>/<sub>8</sub>" (3.4 cm)

**KCGS556ESS and KCGS956ESS Models**



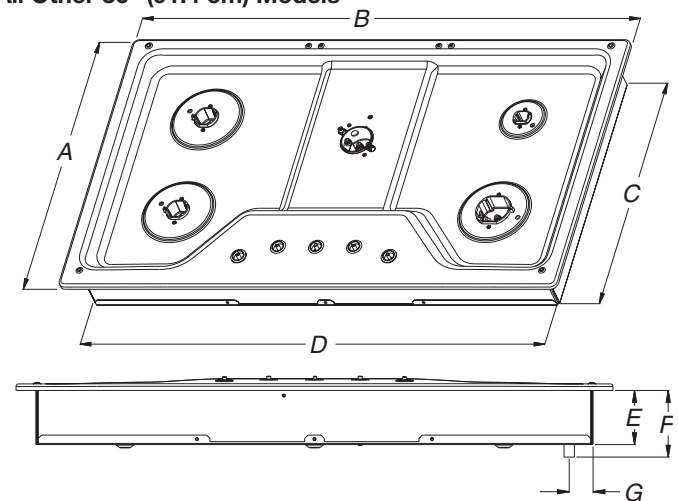
- A. 21" (53.3 cm)
- B. 36<sup>1</sup>/<sub>4</sub>" (92.0 cm)
- C. 19<sup>3</sup>/<sub>8</sub>" (49.2 cm)
- D. 34<sup>3</sup>/<sub>8</sub>" (88.1 cm)
- E. 3<sup>5</sup>/<sub>8</sub>" (9.2 cm)
- F. 4<sup>5</sup>/<sub>16</sub>" (11.6 cm)
- G. 1<sup>7</sup>/<sub>16</sub>" (3.6 cm)

**All Other 30" (76.2 cm) Models**



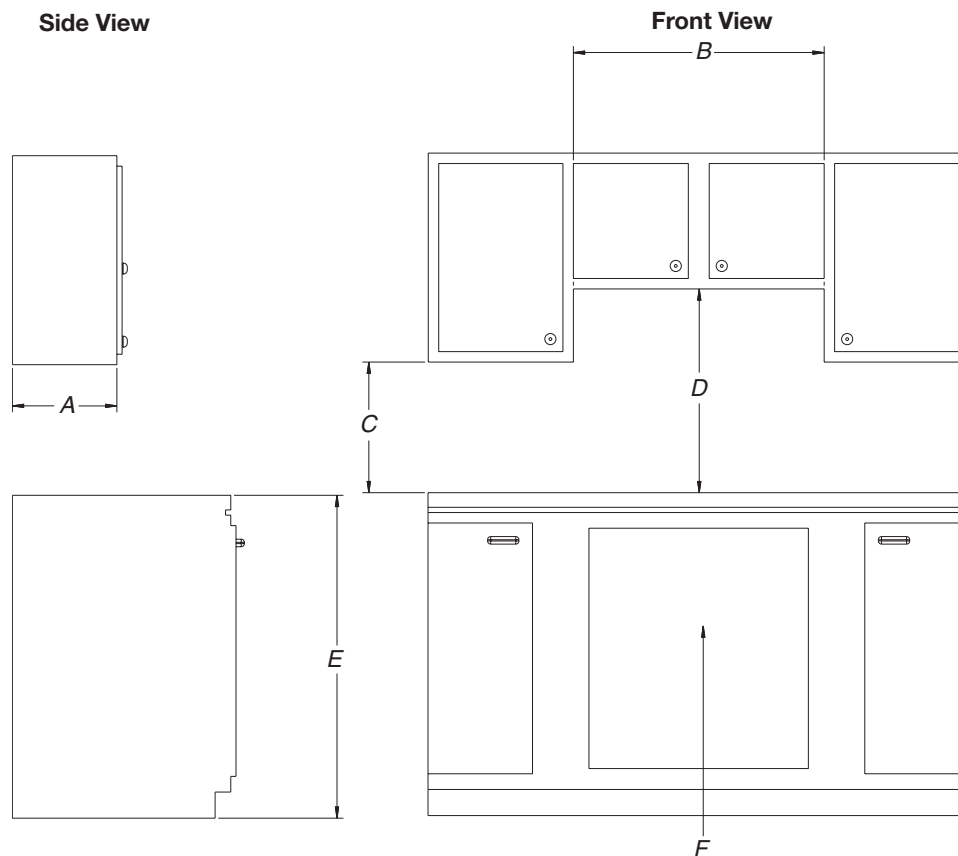
- A. 21" (53.3 cm)
- B. 30" (76.2 cm)
- C. 18<sup>7</sup>/<sub>8</sub>" (48.0 cm)
- D. 28<sup>3</sup>/<sub>8</sub>" (72.1 cm)
- E. 3<sup>3</sup>/<sub>8</sub>" (8.6 cm)
- F. 4<sup>1</sup>/<sub>8</sub>" (10.5 cm)
- G. 1<sup>1</sup>/<sub>2</sub>" (3.8 cm)

**All Other 36" (91.4 cm) Models**

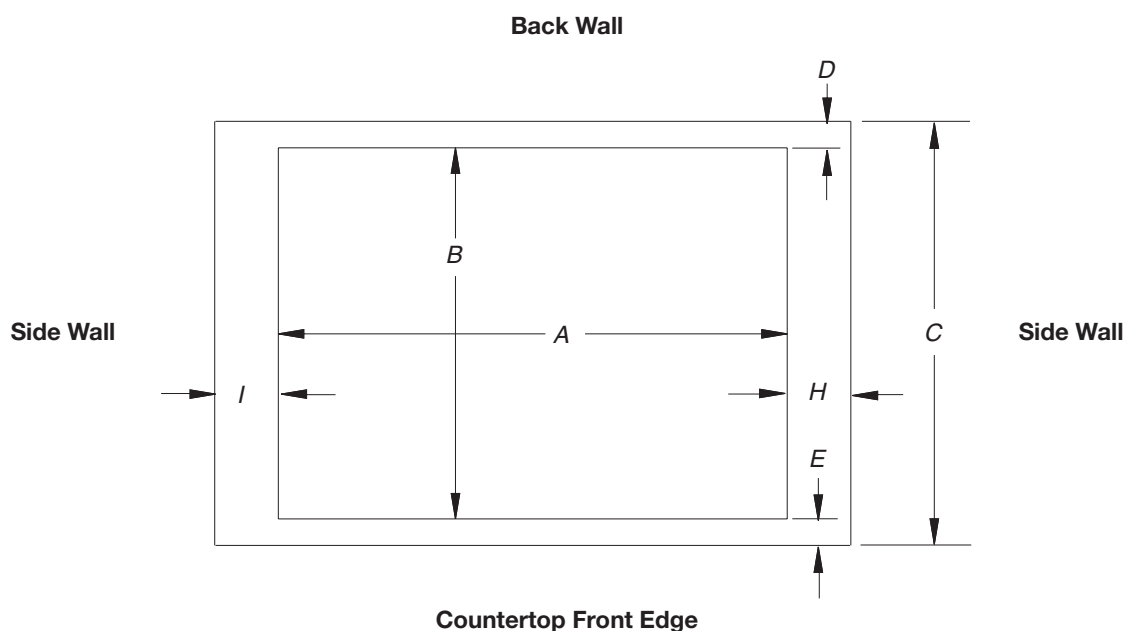


- A. 21" (53.3 cm)
- B. 36" (91.4 cm)
- C. 18<sup>7</sup>/<sub>8</sub>" (48.0 cm)
- D. 33<sup>3</sup>/<sub>4</sub>" (85.7 cm)
- E. 3<sup>3</sup>/<sub>8</sub>" (8.6 cm)
- F. 4<sup>1</sup>/<sub>8</sub>" (10.5 cm)
- G. 1<sup>1</sup>/<sub>2</sub>" (3.8 cm)

## CABINET DIMENSIONS



- A. 13" (33.0 cm) recommended upper cabinet depth.
- B. 30" (76.2 cm) for 30" models; 36" (91.4 cm) for 36" models.
- C. 18" (45.7 cm) minimum clearance from upper cabinet to countertop within minimum horizontal clearances to cooktop.
- D. 30" (76.2 cm) minimum clearance between top of cooktop platform and bottom of uncovered wood or metal cabinet. 24" [61 cm] minimum clearance if bottom of wood or metal cabinet is covered by not less than ¼" [0.6 cm] flame retardant millboard covered with not less than No. 28 MSG sheet steel, 0.015" [0.04 cm] stainless steel, or 0.024" [0.06 cm] aluminum or 0.020" [0.05 cm] copper
- E. 36" (91.4 cm) top of countertop to floor.
- F. Gas line opening - Wall: anywhere 5" (12.7 cm) below underside of countertop. Cabinet floor: anywhere within 6" (15.2 cm) of rear wall is recommended.



<b>Cutout (Product Opening) Dimensions</b>						
<b>30" (76.2 cm) Models</b>						
<b>Models</b>	<b>A</b>			<b>B</b>		
	<b>Min</b>	<b>Recommended</b>	<b>Max</b>	<b>Min</b>	<b>Recommended</b>	<b>Max</b>
<b>KCGS550 and KCGS950</b>	28 1/2" (72.4 cm)	28 7/8" (73.4 cm)	29 5/16" (74.3 cm)	19 1/2" (49.5 cm)	19 13/16" (50.2 cm)	20" (50.8 cm)
<b>All Other 30" (76.2 cm) Models</b>	28 1/2" (72.4 cm)	28 7/8" (73.4 cm)	29 5/16" (74.3 cm)	19" (48.3 cm)	19 1/2" (49.5 cm)	20" (50.8 cm)
<b>36" (91.4 cm) Models</b>						
<b>KCGS556 and KCGS956</b>	34 7/8" (88.4 cm)	35 3/16" (89.4 cm)	35 5/8" (90.3 cm)	19 1/2" (49.5 cm)	19 13/16" (50.2 cm)	20" (50.8 cm)
<b>All Other 36" (91.4 cm) Models</b>	33 7/8" (86.0 cm)	34 3/16" (87.0 cm)	35 1/4" (89.5 cm)	19" (48.3 cm)	19 1/2" (49.5 cm)	20" (50.8 cm)

<b>Side Walls (Combustible Surfaces)</b>	
<b>Models</b>	<b>H and I</b>
<b>KCGS5 and KCGS9</b>	H and I added together must be at least 48" (122.0 cm), with each side individually being at least 8" (20.3 cm).
<b>KCGS350, KCGS356, MGC9536, WCG97US0, WCG97US6</b>	H and I added together must be at least 48" (122.0 cm), with each side individually being at least 12" (30.5 cm).
<b>All Other Models</b>	Both have to be 8" (20.3 cm) or more.

<b>Back Wall and Countertop Front Dimensions</b>			
<b>Models</b>	<b>C</b>	<b>D</b>	<b>E</b>
<b>KCGS550 and KCGS950</b>	25" (63.5 cm)	2 7/8" (7.3 cm)	2 3/4" (6.9 cm)
<b>All Other Models</b>			3 1/8" (7.9 cm)

**NOTES:** After making the countertop cutout, some installations may require notching down the base cabinet side walls to clear the cooktop base. To avoid this modification, use a base cabinet with sidewalls wider than the cutout.

If cabinet has a drawer, a 4" (10.2 cm) depth clearance from the countertop to the top of the drawer (or other obstruction) in base cabinet is required. The drawer depth may need to be shortened to avoid interfering with the regulator.

**IMPORTANT:** If a built-in wall oven is to be installed below this cooktop, the grounded outlet and gas supply piping must be located in an adjacent cabinet.

This cooktop and its gas and electrical supply sources must be installed before the undercounter built-in wall oven is installed.

# KCGS556ESS

**KitchenAid**<sup>®</sup>

## 36" 5-Burner Gas Cooktop

<http://www.kitchenaid.com>

### Key Features:

- 20K BTU Professional Dual Ring Burner
- Even-Heat™ 6K BTU Simmer Burner
- CookShield Finish
- Electronic Ignition
- Full-Width Cast-Iron Grates
- Metal Control Knobs
- LP Conversion Kit Included

### Product Dimensions:

Height: 3 11/16

Width: 36

Depth: 21

### Electrical Requirements:

15.

### Additional Information:

[Use And Care Guide](#)

[Dimension Guide](#)

[Installation Guide](#)

[Warranty Certificate](#)



Available in:

 Stainless Steel

INVESTED  
IN  
**AMERICA**

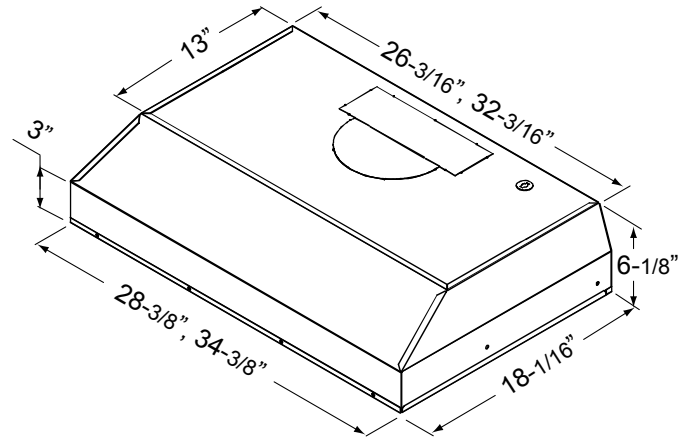
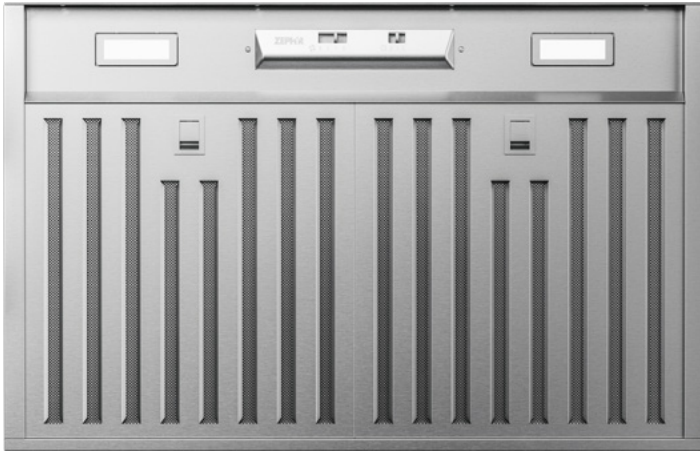
**ADA**  
Compliant

©Registered trademark/TM Trademark of Whirlpool, U.S.A. © 2016 Whirlpool Corporation. All Rights Reserved. All other trademarks are owned by their respective companies.

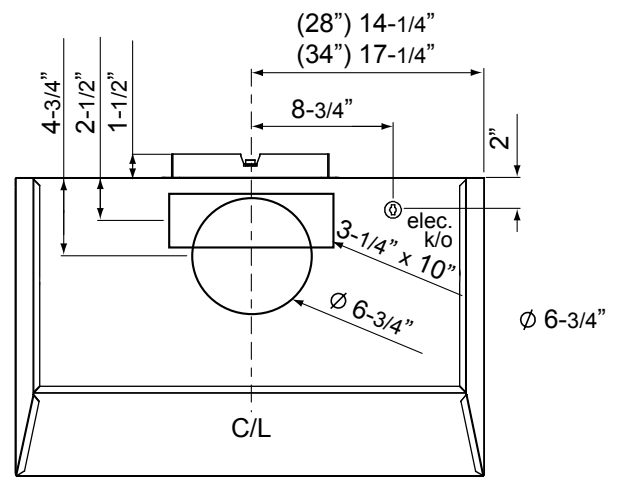
Because Whirlpool Corporation policy includes a continuous commitment to improve our products, we reserve the right to change materials and specifications without notice. We also reserve the right to discontinue or transition products without notice.

Manufacturer's Suggested Retail Price (MSRP) and Minimum Advertised Price (MAP) provided for reference purposes only. Dealer alone determines advertised and retail prices.

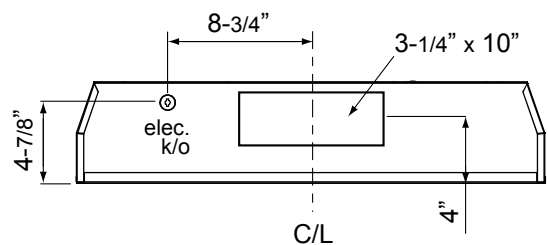
Created On: Friday, March 03, 2017 08:08:02



3/4 Angle



Top



Back



MODEL	AK9128BS	AK9134BS
Stainless Steel		
<b>Size</b>	28-3/8" (30")	34-3/8" (36")
<b>Blower CFM (Min. - Max.)</b>	150 - 300	150 - 300
<b>Sones (Min. - Max.)</b>	1.5 - 4	1.5 - 4
<b>FEATURES</b>		
<b>Controls</b>	Mechanical Slide	Mechanical Slide
<b>Speed Levels</b>	3	3
<b>Lighting</b>	LumiLight LED, 6W x2	LumiLight LED, 6W x2
<b>Dual-Level Lighting</b>	Yes	Yes
<b>Filters</b>	Hybrid Baffle x2	Hybrid Baffle x2
<b>Recirculating Option</b>	Yes	Yes
<b>DUCT SPECIFICATIONS</b>		
<b>Vertical Internal Blower</b>	7" Round, 3-1/4" x 10"	7" Round, 3-1/4" x 10"
<b>Horizontal Internal Blower</b>	3-1/4" x 10"	3-1/4" x 10"
<b>AC POWER</b>	120V, 60Hz at Max. 2A	120V, 60Hz at Max. 2A
<b>OPTIONAL ACCESSORIES</b>		
<b>Recirculating Kit</b>	ZRC-9100A	ZRC-9100A
<b>Damper, 7" Round</b>	AK00067	AK00067
<b>MOUNTING HEIGHT RANGE*</b>	24" - 36"	24" - 36"
<b>WARRANTY</b>	3 years parts, 1 year labor	3 years parts, 1 year labor

\*Mounting height refers to distance between top of a 36" tall cooking surface and bottom of hood.

# KOCE500ESS

**KitchenAid®**

## 30" Combination Wall Oven with Even-Heat™ True Convection (Lower Oven)

<http://www.kitchenaid.com>



### Key Features:

- Even-Heat™ True Convection Oven (lower oven)
- Microwave Convection Cooking (upper oven)
- Professionally-Inspired Design
- Temperature Probe
- EasyConvect™ Conversion System
- 5.0 Cu. Ft. Total Capacity (lower oven)
- 1.4 Cu. Ft. Capacity (upper oven)
- Crispwave™ Microwave Technology and Crisper Pan (upper oven)
- SatinGlide™ Roll-Out Extension Rack (lower oven)

### Product Dimensions:

Height: 42 1/2

Width: 30

Depth: 27 1/8

### Electrical Requirements:

40 Amps.

### Additional Information:

[Use And Care Guide](#)

[Dimension Guide](#)

[Installation Guide](#)

[Warranty Certificate](#)

Available in:

- Black
- Stainless Steel
- White

INVESTED  
IN  
**AMERICA**

©Registered trademark/TM Trademark of Whirlpool, U.S.A. © 2016 Whirlpool Corporation. All Rights Reserved. All other trademarks are owned by their respective companies.

Because Whirlpool Corporation policy includes a continuous commitment to improve our products, we reserve the right to change materials and specifications without notice. We also reserve the right to discontinue or transition products without notice.

Manufacturer's Suggested Retail Price (MSRP) and Minimum Advertised Price (MAP) provided for reference purposes only. Dealer alone determines advertised and retail prices.

Created On: Monday, March 06, 2017 18:50:58

# KitchenAid® 27" (68.6 cm) and 30" (76.2 cm) Electric Built-In Microwave/Oven Combination

## PRODUCT MODEL NUMBERS

KEMS309E      KOCE500E      KOCE507E

## ELECTRICAL CONNECTION

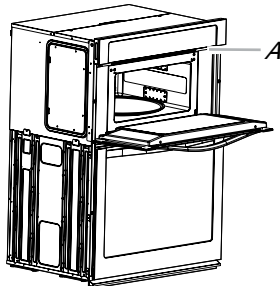
If codes permit and a separate ground wire is used, it is recommended that a qualified electrical installer determine that the ground path and the wire gauge are in accordance with local codes. Check with a qualified electrical installer if you are not sure the oven is properly grounded.

This oven must be connected to a grounded metal, permanent wiring system.

Be sure that the electrical connection and wire size are adequate and in conformance with the National Electrical Code, ANSI/NFPA 70-latest edition or CSA Standards C22.1-94, Canadian Electrical Code, Part 1 and C22.2 No. O-M91-latest edition, and all local codes and ordinances.

To properly install your oven, you must determine the type of electrical connection you will be using and follow the instructions provided for it here.

- Oven must be connected to the proper electrical voltage and frequency as specified on the model/serial/rating plate. See the following illustration.



A. Model/serial/rating plate

- Models rated from 7.3 to 9.6 kW at 240 volts (5.4 to 7.4 kW at 208 volts) require a separate 40-amp circuit. Models rated at 4.8 kW and below at 240 volts (3.6 kW and below at 208 volts) require a separate 30-amp circuit.
- A circuit breaker is recommended.
- Connect directly to the fused disconnect (or circuit breaker box) through flexible, armored or nonmetallic sheathed, copper cable (with grounding wire). See "Make Electrical Connection" section.
- Flexible conduit from the oven should be connected directly to the junction box.
- Do not cut the conduit. The length of conduit provided is for serviceability of the oven.
- A UL listed or CSA approved conduit connector must be provided.
- If the house has aluminum wiring, follow the procedure below:
  1. Connect a section of solid copper wire to the pigtail leads.
  2. Connect the aluminum wiring to the added section of copper wire using special connectors and/or tools designed and UL listed for joining copper to aluminum.

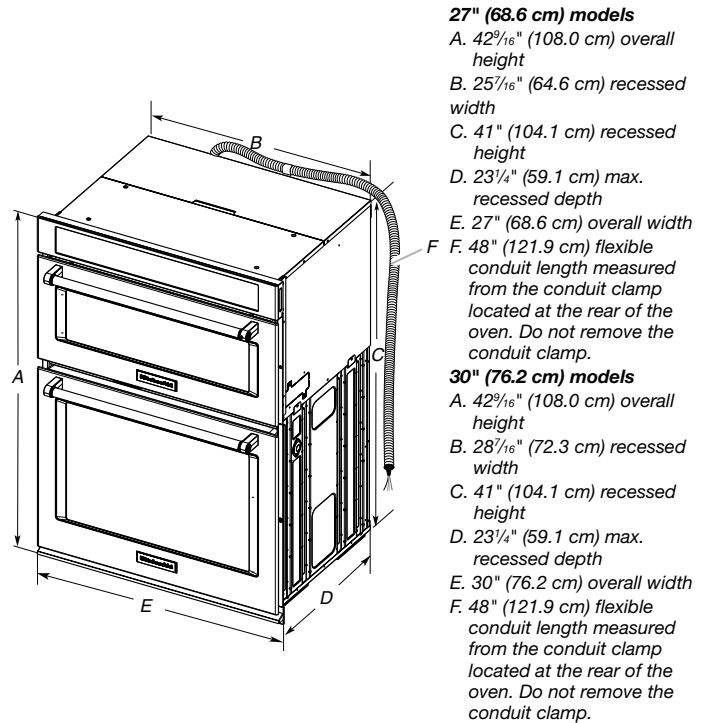
Follow the electrical connector manufacturer's recommended procedure. Aluminum/copper connection must conform with local codes and industry accepted wiring practices.

For power requirements, refer to the following table.

Model	Voltage	Amperage (L1)*	Amperage (L2)*	Rating (W)
KOCE507E/KOCE500E	120/240	32	30	8000
KOCE507E/KOCE500E	120/208	30	28	6600

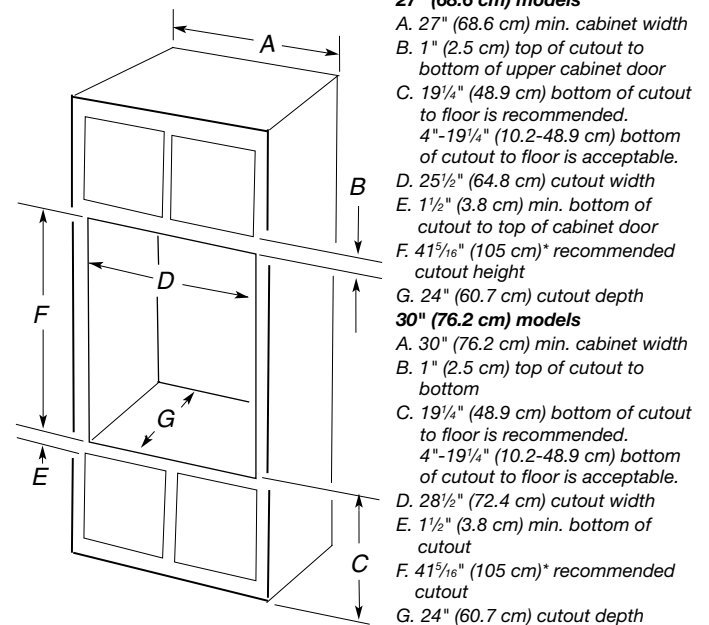
\*Amperage values noted above are for information purposes only: the units are rated in watts.

## PRODUCT DIMENSIONS



- 27" (68.6 cm) models**
- A. 42<sup>9</sup>/<sub>16</sub>" (108.0 cm) overall height
  - B. 25<sup>7</sup>/<sub>16</sub>" (64.6 cm) recessed width
  - C. 41" (104.1 cm) recessed height
  - D. 23<sup>1</sup>/<sub>4</sub>" (59.1 cm) max. recessed depth
  - E. 27" (68.6 cm) overall width
  - F. 48" (121.9 cm) flexible conduit length measured from the conduit clamp located at the rear of the oven. Do not remove the conduit clamp.
- 30" (76.2 cm) models**
- A. 42<sup>9</sup>/<sub>16</sub>" (108.0 cm) overall height
  - B. 28<sup>7</sup>/<sub>16</sub>" (72.3 cm) recessed width
  - C. 41" (104.1 cm) recessed height
  - D. 23<sup>1</sup>/<sub>4</sub>" (59.1 cm) max. recessed depth
  - E. 30" (76.2 cm) overall width
  - F. 48" (121.9 cm) flexible conduit length measured from the conduit clamp located at the rear of the oven. Do not remove the conduit clamp.

## Cabinet Dimensions



- 27" (68.6 cm) models**
- A. 27" (68.6 cm) min. cabinet width
  - B. 1" (2.5 cm) top of cutout to bottom of upper cabinet door
  - C. 19<sup>1</sup>/<sub>4</sub>" (48.9 cm) bottom of cutout to floor is recommended. 4"-19<sup>1</sup>/<sub>4</sub>" (10.2-48.9 cm) bottom of cutout to floor is acceptable.
  - D. 25<sup>1</sup>/<sub>2</sub>" (64.8 cm) cutout width
  - E. 1<sup>1</sup>/<sub>2</sub>" (3.8 cm) min. bottom of cutout to top of cabinet door
  - F. 41<sup>5</sup>/<sub>16</sub>" (105 cm)\* recommended cutout height
  - G. 24" (60.7 cm) cutout depth
- 30" (76.2 cm) models**
- A. 30" (76.2 cm) min. cabinet width
  - B. 1" (2.5 cm) top of cutout to bottom
  - C. 19<sup>1</sup>/<sub>4</sub>" (48.9 cm) bottom of cutout to floor is recommended. 4"-19<sup>1</sup>/<sub>4</sub>" (10.2-48.9 cm) bottom of cutout to floor is acceptable.
  - D. 28<sup>1</sup>/<sub>2</sub>" (72.4 cm) cutout width
  - E. 1<sup>1</sup>/<sub>2</sub>" (3.8 cm) min. bottom of cutout
  - F. 41<sup>5</sup>/<sub>16</sub>" (105 cm)\* recommended cutout
  - G. 24" (60.7 cm) cutout depth

\* NOTE: The cabinet height can be between 41" (104.1 cm) and 41<sup>1</sup>/<sub>2</sub>" (105.6 cm) for microwave/oven combination.